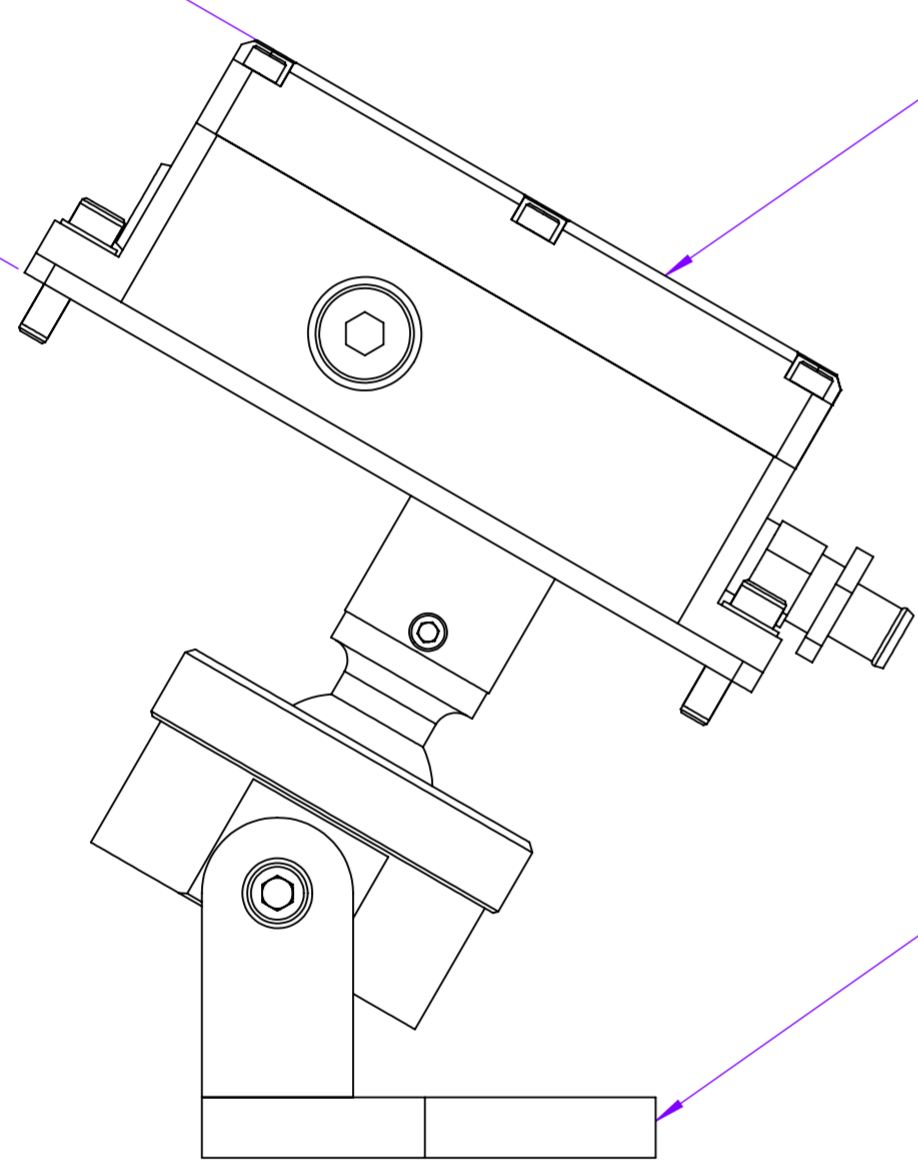
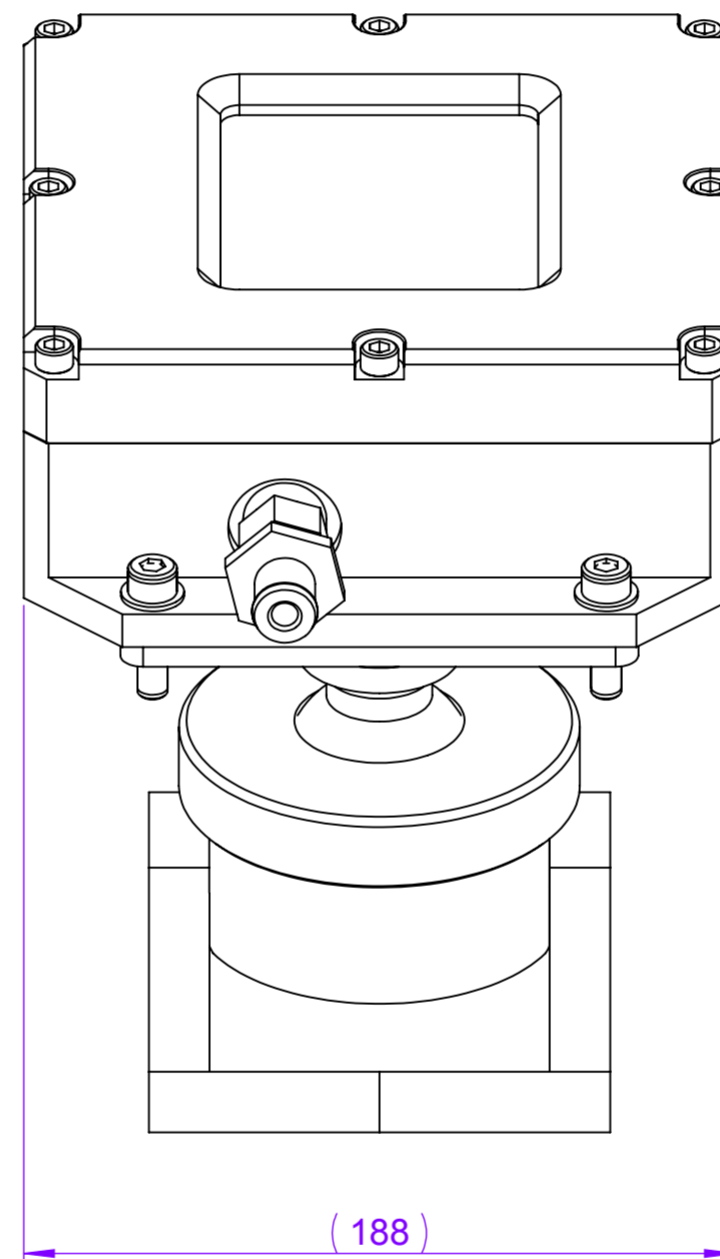


HEIGHT VARIES  
ACCORDING TO  
L07H PRODUCT

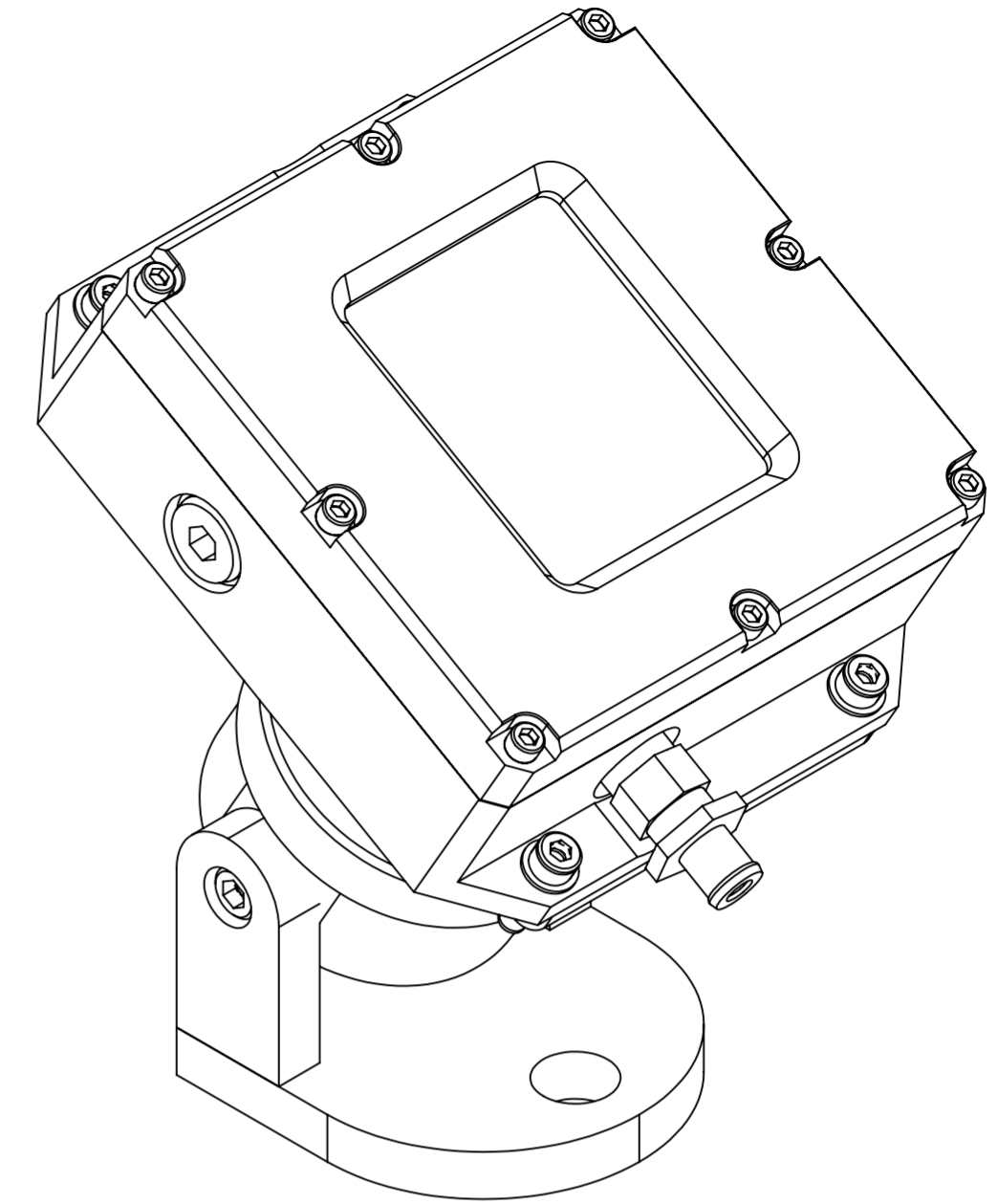


L07H  
ENCLOSURE

H07H0401  
Wall Mounting Assembly



(188)



[www.pempek.com.au](http://www.pempek.com.au) | [sales@pempek.com.au](mailto:sales@pempek.com.au) 3/13 Hoyle Ave Castle Hill NSW 2154 | +61 02 8853 4800

Pempek Systems Pty Ltd reserves the right to make corrections, enhancements, improvements and other changes to its products and services as needed. All products are sold subject to Pempek's terms and conditions of sale supplied at the time of order acknowledgment. Pempek warrants the performance of its products to the specifications applicable at the time of sale, in accordance with the warranty specified by the terms and conditions of sale.

<https://www.pempek.com.au/terms-and-conditions/>