

**L0HC1701 Analogue Motor Current Monitor MotorMate  
200A/80A/200A Vertical Top Entry**

**L0HC1801 Analogue Motor Current Monitor MotorMate  
500A/200A/500A Vertical**

**L0HC1901 Analogue Motor Current Monitor MotorMate  
200A/200A/200A Vertical Top Entry**

**L0HC5001 Analogue Motor Current Monitor MotorMate  
500A/150A/500A Horizontal Side Entry**

**L0HC5101 Analogue Motor Current Monitor MotorMate  
120A/50A/120A Horizontal Side Entry**

**L0HC5201 Analogue Motor Current Monitor MotorMate  
250A/125A/250A Horizontal Side Entry**

**L0HC5401 Analogue Motor Current Monitor MotorMate  
200A/80A/200A Horizontal Side Entry**

**L0HC5501 Analogue Motor Current Monitor MotorMate  
200A/100A/200A Horizontal**

**L0HC5601 Analogue Motor Current Monitor MotorMate  
50A/20A/50A Horizontal Side Entry**

**L0HC5901 Analogue Motor Current Monitor MotorMate  
10A/4A/10A Vertical Top Entry**

**L0HC6001 Analogue Motor Current Monitor MotorMate  
3A/1A/3A Vertical Top Entry**

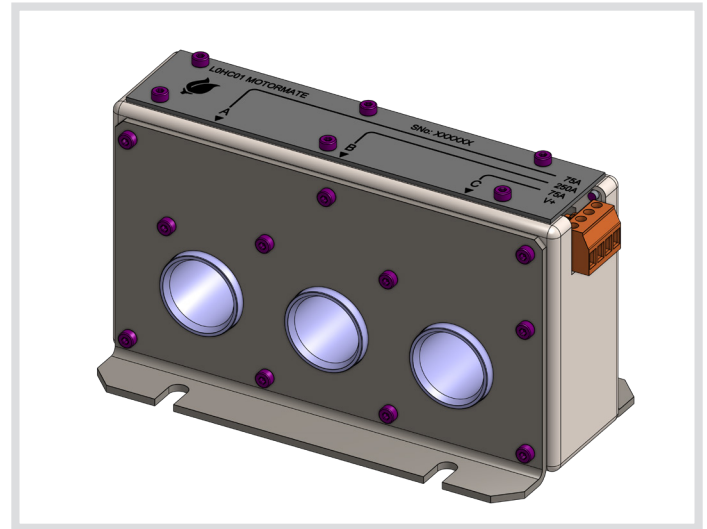
The L0HC Series Motor Mate is an integral triple output inductive current transducer designed for 3-phase electric motors, drives and transformers

The L0HC Series Motor Mate can be factory calibrated to suit any monitoring requirement and is guaranteed to operate to within 5%\* of full-scale over the entire monitoring range

These devices are commonly used, in part, as current sensing protection devices in the application of AC Motor Protection schemes relative to AS1023.2.

For more information as to how motor protection is achieved, see the Pempek Systems White-paper PSWP - Application of AC Motor Protection

\* Typical Error is  $\pm 2$  percent



## Features & Benefits

### Triple Inductive Current Transducers (ICT)

- 3-Phase Inductive Current Monitoring
- Fully Customisable Scales
- High Noise Tolerance

### Industry Standard 4-20mA Outputs

- 3 x 4-20mA Calibrated Outputs

### Operates -20°C to +85°C

- All industrial components

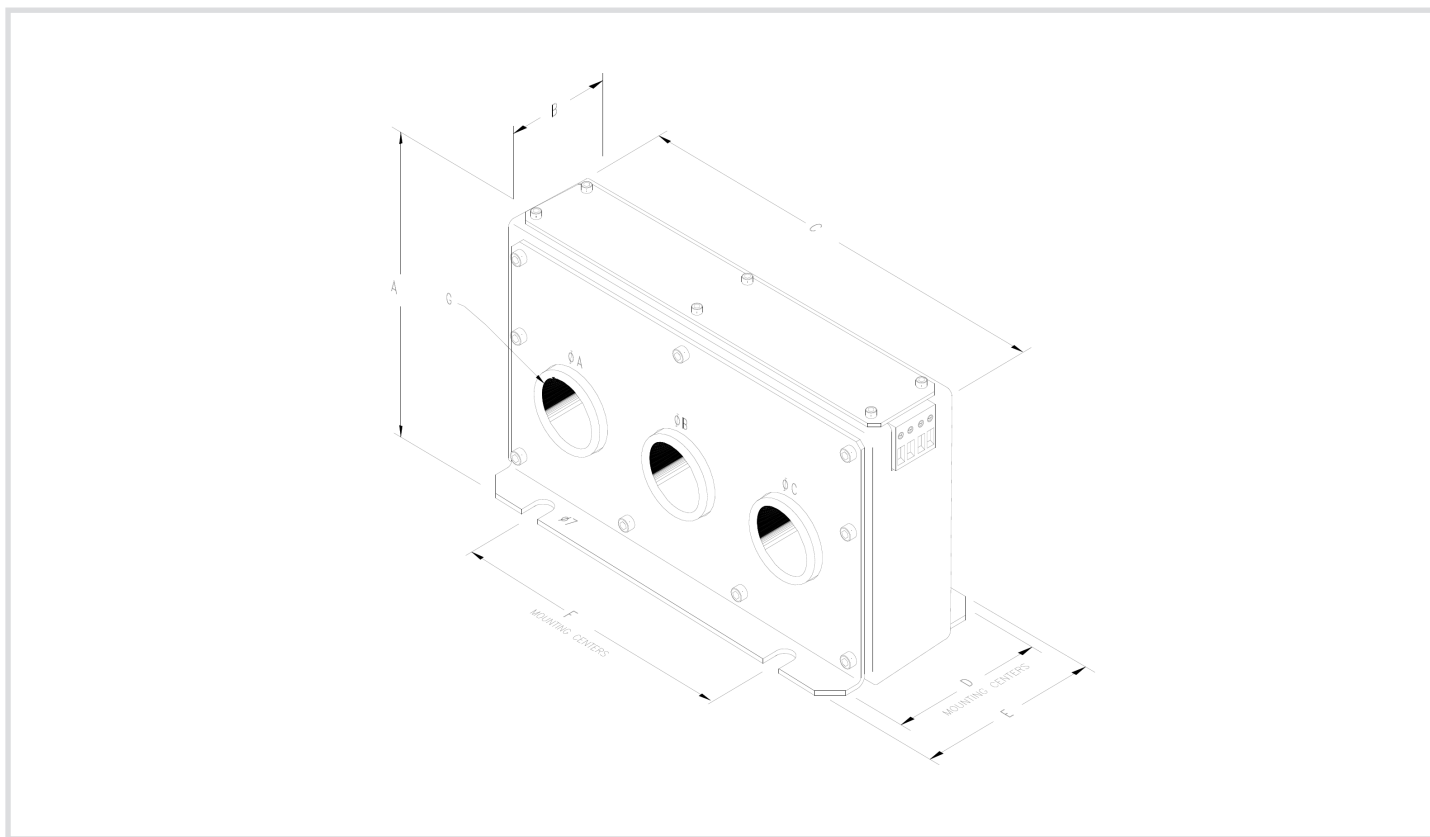
### Heavy Duty Enclosure

- Electroless Nickel Plated Mild Steel
- Stainless Steel Flanges
- Rugged Construction

## Typical Application

- Continuous Miners
- Continuous Haulage
- Long Wall Shearers
- Mobile Bolters
- Mobile Roof Supports
- Remote Control Scoops
- Remote Control Loaders
- Shuttle Cars
- Feeder Breakers
- Any industrial 3-Phase Electric Motor / Drives and Transformer

## Dimensions



Dimension	Measurement	Description
A	97mm	Height
B	56mm	Depth
C	167mm	Width
D	71mm	Mounting Centre – Depth
E	86.5mm	Mounting Flange – Depth
F	100mm	Mounting Centre – Width
G	24mm	Cable Gauge

### Notes

- All dimension measurements are in millimetres.

### Material

- Enclosure is Electroless nickel plated mild steel.
- Mounting brackets are stainless steel.

### Fasteners

- M4 x 10mm x 20
- M3 x 6mm x 10

### Mass

1.7kg (3.7lb)

## Specifications

Klippon 4-Pin		
Bootlace Connector Terminal		
PIN	Description	Signal
1	Phase A Signal (scaled)	4-20mA
2	Phase B Signal (scaled)	4-20mA
3	Phase C Signal (scaled)	4-20mA
4	Reference Supply	Supply

The scaled signal represents the calibrated current range in AMPS: for example, 0-500A equates to 4-20mA etc.

## Electrical

Supply	
Voltage	24VDC
Wattage MIN	0.3W
Wattage MAX	1.7W

Analog Outputs	
Installed	3
Type	4-20mA
Resolution	10 bits (1024 units)

Environmental	
Operating Temperature	Minus 20°C to +85°C
Humidity	Tested to 85%
MTBF	10,000 hours