



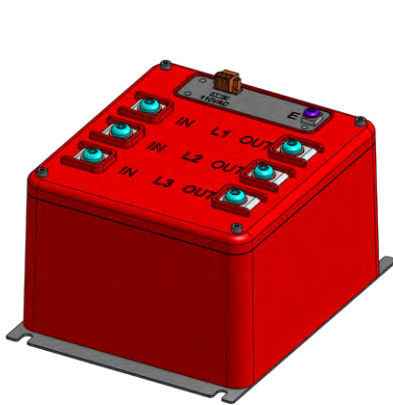
Introducing our New Smart Filters

Designed for high noise environments
typical for remote electrically powered
mining equipment.

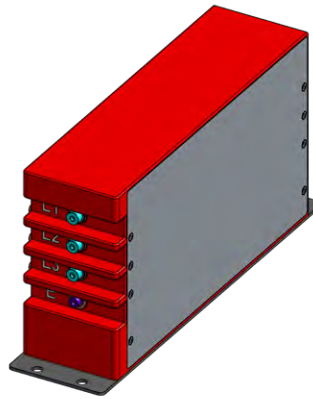
Smart Filters are designed for high noise environment typical of remote electrically powered mining equipment.

Featuring an integrated Common Mode Choke and high capacitance components minimise conducted. Radio-Frequency interference voltage reducing nuisance power line trips from remote power monitor relays.

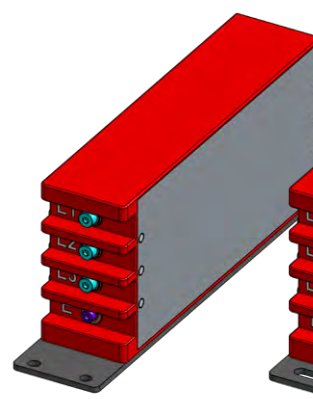
The L11V family also features an integrated Earth Switching relay to defeat touch potentials that can exist on power line networks rendering protected equipment safe.



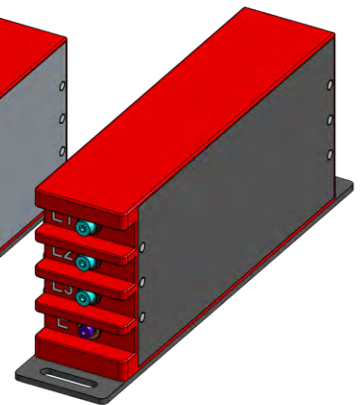
L11V0101



L10W0101

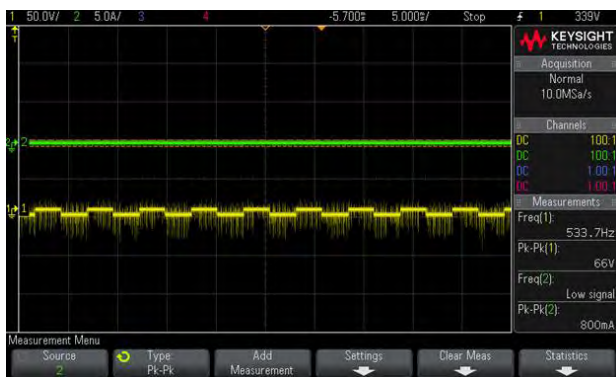


L10V0401



L10V0201

Typical Motor Drive in operation without any filter



Typical Motor Drive in operation with Pempek Smart Filter



Touch Potential with delayed earthing



Key Features & Benefits

- Smart Filters reduces the EMC interference and connects on the power input side to cut off or isolate the interference channel between power network and VFD.
- Suppress the harmonic or surge from power network to resolve nuisance malfunction introduced by variable frequency drive.
- Smart Filters must be installed upstream on mains side of the variable frequency drive.
- L11J has Integrated earth switching relay can be used for delayed earth connection to avoid inrush charging current
- Integrated Common Mode Choke can resolve nuisance malfunction of distribution boxes (like Amp control IPD etc)

Typical Application

- Continuous Miners
- Continuous Haulage
- Long Wall Shearers
- Mobile Bolters
- Mobile Roof Supports
- Remote Control Scoops
- Remote Control Loaders
- Shuttle Cars
- Feeder Breakers

Ordering Information

AC VFD System Filter (L107 Mounting)

Part Number: L10V0201

AC VFD System Filter (LOWN Mounting)

Part Number: L10V0401

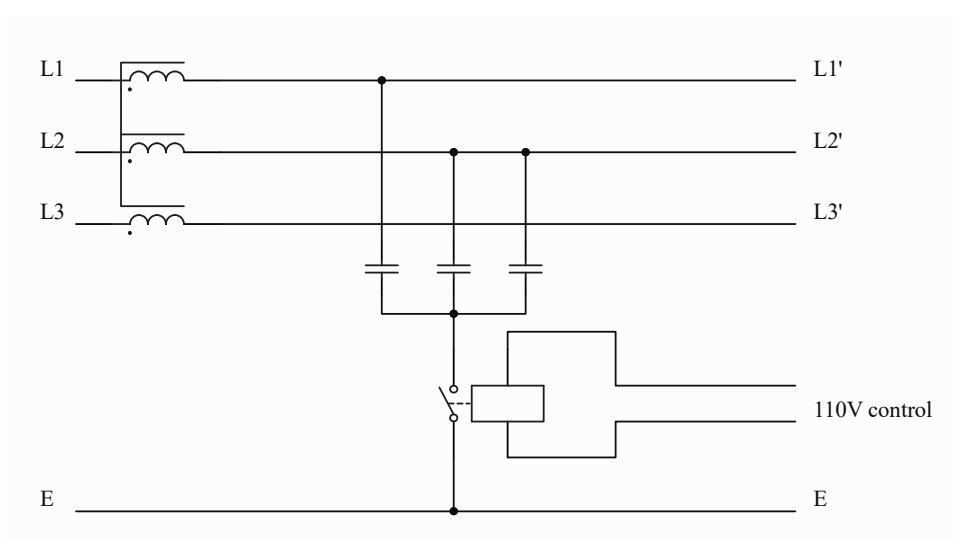
AC VFD System Filter with Common Mode Choke (1140 V)

Part Number: L11V0101

AC VFD System Filter with MOV Protection (1140 V)

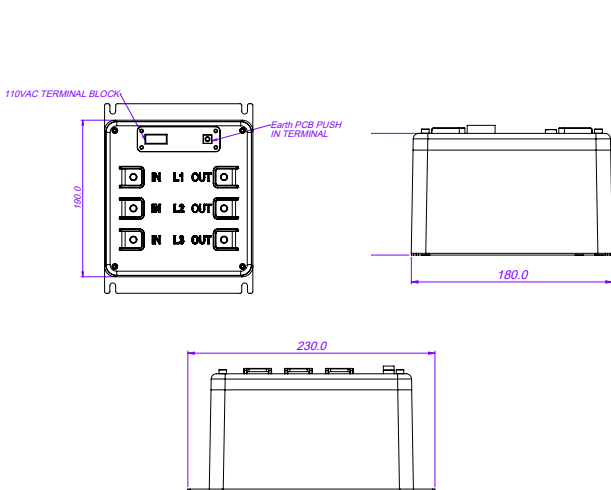
Part Number: L10W0101

Circuit

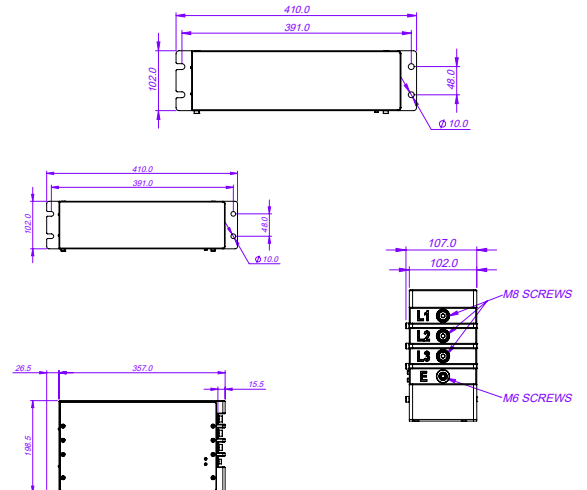


Specifications

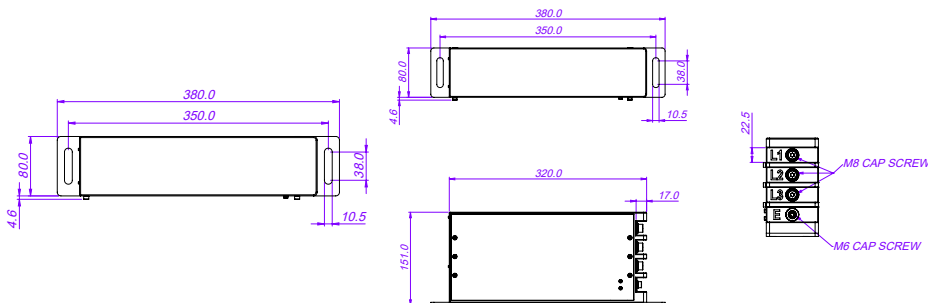
- Rated Voltage 1140V
- Rated Current 400A
- Rated frequency 50/60 Hz



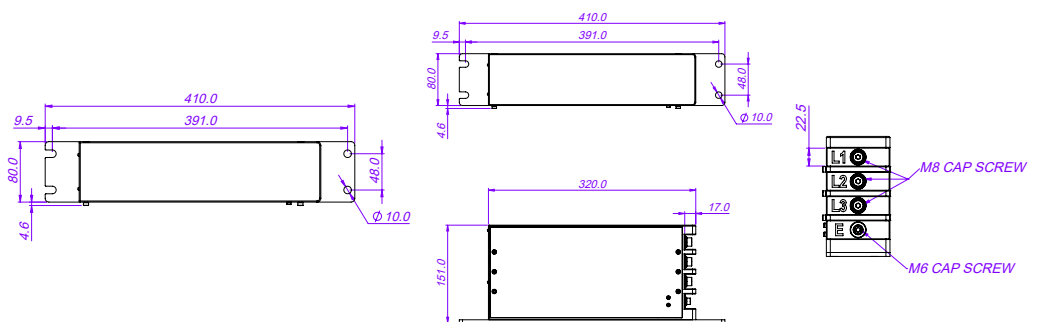
L11V0101 Dimensions (mm)



L10W0101 Dimensions (mm)



L10V0201 Dimensions (mm)



L10V0401 Dimensions (mm)



Australia | USA | China

www.pempek.com.au | sales@pempek.com.au

3/13 Hoyle Ave Castle Hill NSW 2154 | +61 02 8853 4800



www.pempek.com.au

Pempek Systems Pty Ltd ACN 622 172 721 (Pempek) is the owner of all intellectual property rights subsisting in all of its products, software and hardware, as well as all product information contained in this document (including without limitation in respect of all copyright, designs and know-how). Your use of Pempek's products and intellectual property is strictly subject to: Pempek's Licence Terms and Conditions, which are accessible here: <https://pempek.com.au/terms-and-conditions/#PempekIntellectualPropertyLicenceAgreement>

Pempek's Product Terms and Conditions, which are accessible here: <https://pempek.com.au/terms-and-conditions/>
By requesting Pempek to provide its products and services to you, or by continuing to use Pempek's products and services, you confirm your acceptance of the terms and conditions specified above. You agree and acknowledge that these terms form a legally binding agreement between you and Pempek. Pempek reserves the right to amend its terms and conditions at any time.