

L0UA0401 Obelix Colour Display Module IEC Ex d Flameproof Telemetry WiFi

The Type L0UA0301 IEC Ex d Flameproof Display
The module is an industrialized colour display module designed for the rigors of underground mobile mining machinery.

Designed to exacting requirements of IEC 60079 .1 and MSHA CFR 30, this display is designed for world-wide explosive atmosphere regulatory approval allowing it to be installed into any underground environment after certification assessment.

Highly ruggedised, industrial design using all industrial grade components – limited only by the LCD panel to -20°C + 80°C.

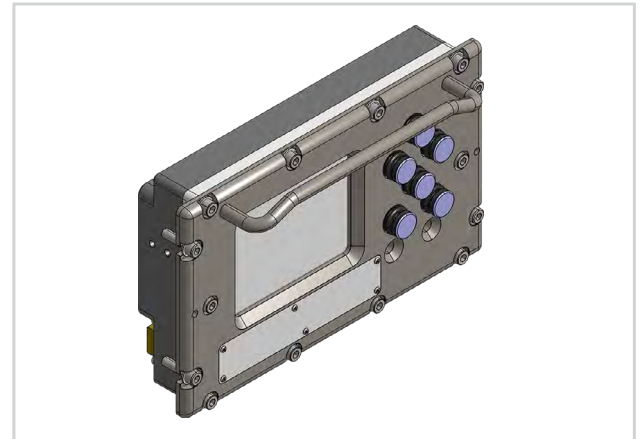
Ambient temperature rating of -20°C..+70°C with IP65/66 rating.

Uniquely removable flameproof connector assemblies make installation simple and clean, avoiding the need for open-unit termination.

Powerful 806MHz Marvell Core running full colour VGA display with Ethernet, CAN 2.0B / CANOpen, and RS-422 interfaces with 1GB of onboard storage and 8GB of removable storage.

Driven by a low-power 806MHz Marvel CPU complete with 1GB of on-board flash and 8GB of removable flash, the Type L0UA Display is a highly flexible product that can be customized to suit any remote application.

Fundamental to its design are localized navigation buttons that allow the operator to adjust the view on-demand without utilizing secondary remote equipment, becoming invaluable when commissioning a new installation or fault-finding an existing one.



Visuals

A glorious 6.4-inch, 640 x 480 full colour industrial LCD panel, rated to -20°C + 80°C, making it suitable for the most extreme environments.

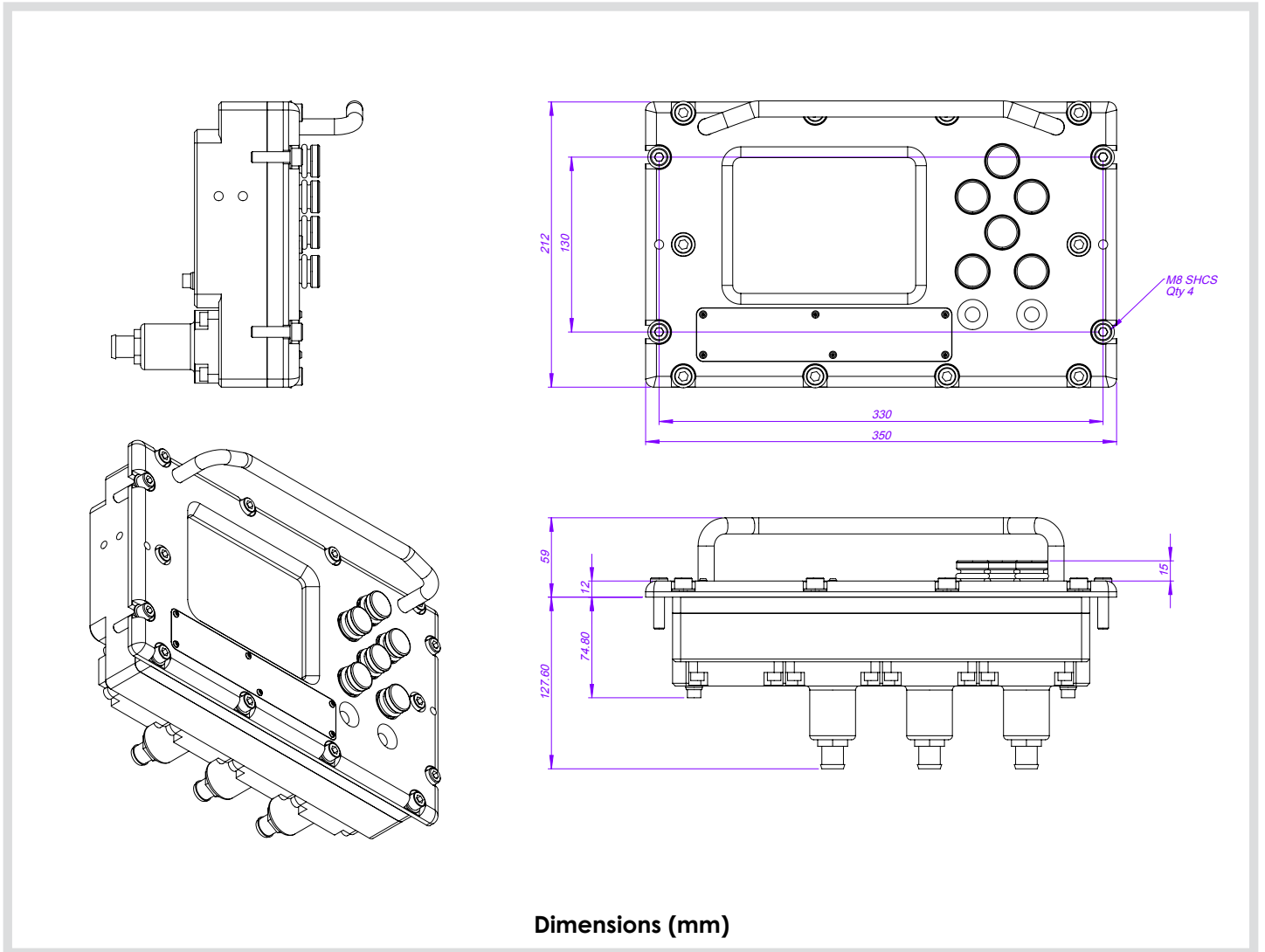
Communication

A veritable powerhouse of digital interfaces including 10/100 Ethernet with TCP/IP & UDP support, full Speed CAN 2.0B with CANOpen support and proprietary RS-422.

Power

Ultra-wide range 8VDC 30VDC supply input capable of supporting unfiltered alternator supplies often found on underground diesel vehicles.

L0UA0401 Obelix Colour Display Module IEC Ex d Flameproof Telemetry WiFi



L0UA0401 Obelix Colour Display Module IEC Ex d Flameproof Telemetry WiFi

Electrical Characteristics

Power

Voltage	8VDC 30VDC
Wattage	< 20W

Interface

Ethernet	Full 10/100 with TCP/IP & UDP
CAN	CAN 2.0B with CANOpen
RS-422	Proprietary 115.2kbs
LCD	VGA 640 x 480 262K Colours

Processor

CPU	806MHz Marvell
Storage	1GB Onboard + 8GB Removable
Memory	128MB

Mechanical

Material	Mild-Steel with Lexan MR5 Lense
Width	350mm
Height	212mm
Depth	60mm + 50mm Handle
Mass	20.5KG

Environmental

Temperature	-20°C + 70°C
Ingress Protection	IP65 / 66