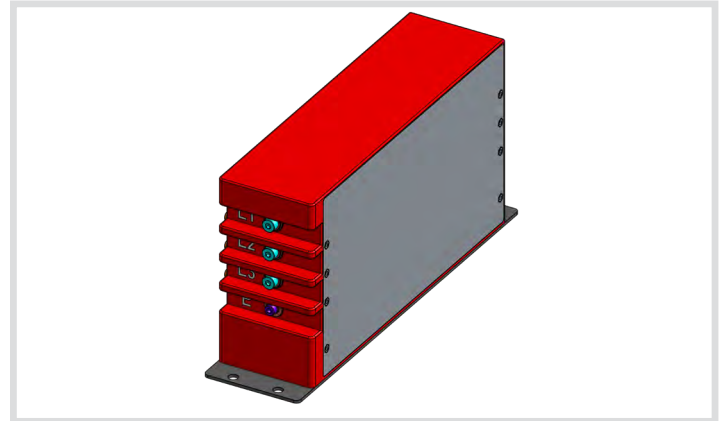


L10W0101 AC VFD System Filter with MOV Protection (1140 V)

The L10W0101 EMC filter is designed for variable frequency drive and high noise environments. Input EMC filters reduce the conducted radio-frequency interference voltage.

The L10W0101 EMC filter has integrated MOVs.

- L10W0101 EMC filter reduces the interference between power network and frequency drives (VFD).
- Suppress the harmonic or surge from power network to resolve nuisance malfunction introduced by variable frequency drives (VFD).
- L10W0101 EMC filter must be installed upstream on mains side of the variable frequency drive (VFD).
- Integrated MOVs can protect variable frequency drive from incoming power source surge and transients.



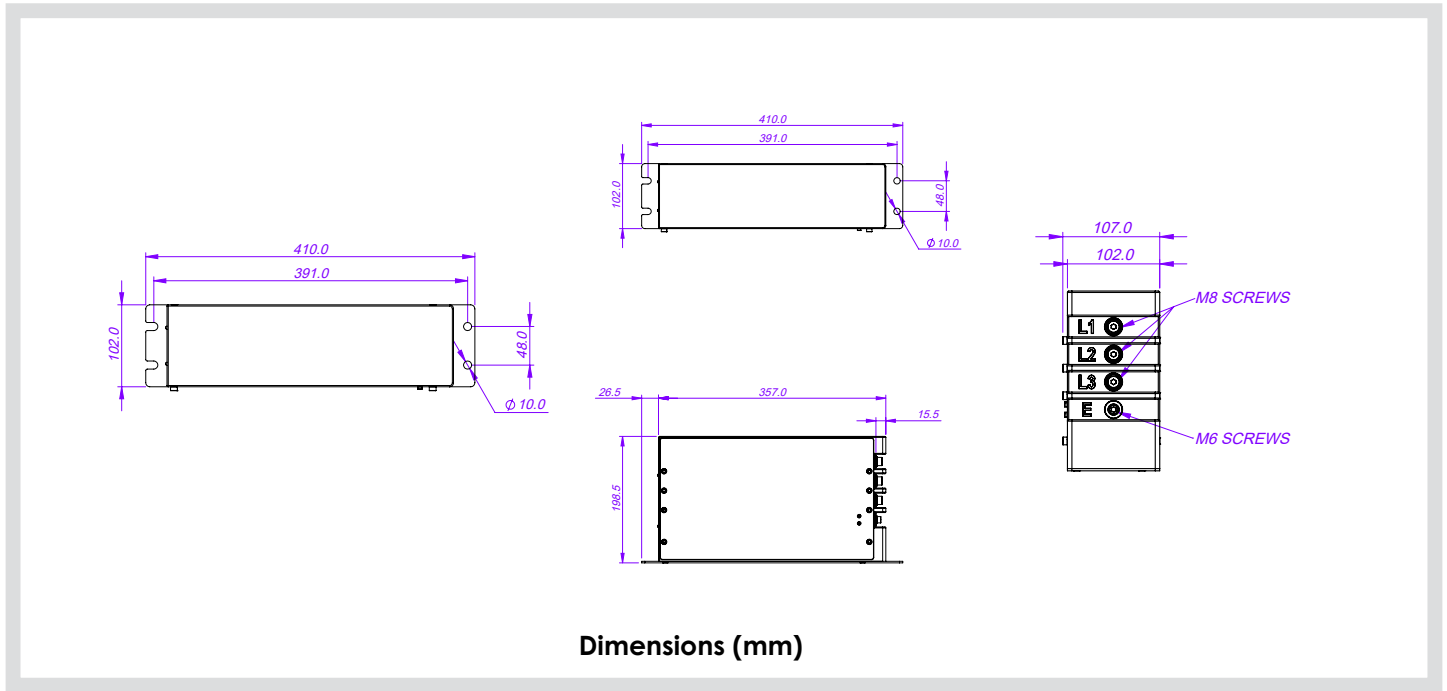
Specifications

- Rated Voltage 1140V
- Rated Current 400A
- Rated frequency 50/60 Hz

Typical Application

- Continuous Miners
- Continuous Haulage
- Long Wall Shearers
- Mobile Bolters
- Mobile Roof Supports
- Remote Control Scoops
- Remote Control Loaders
- Shuttle Cars
- Feeder Breakers

L10W0101 AC VFD System Filter with MOV Protection (1140 V)



Circuit

