



Pempek's Oracle RC Flameproof Radio
Remote Controls and the Oracle Data
Wireless Ethernet Access Points

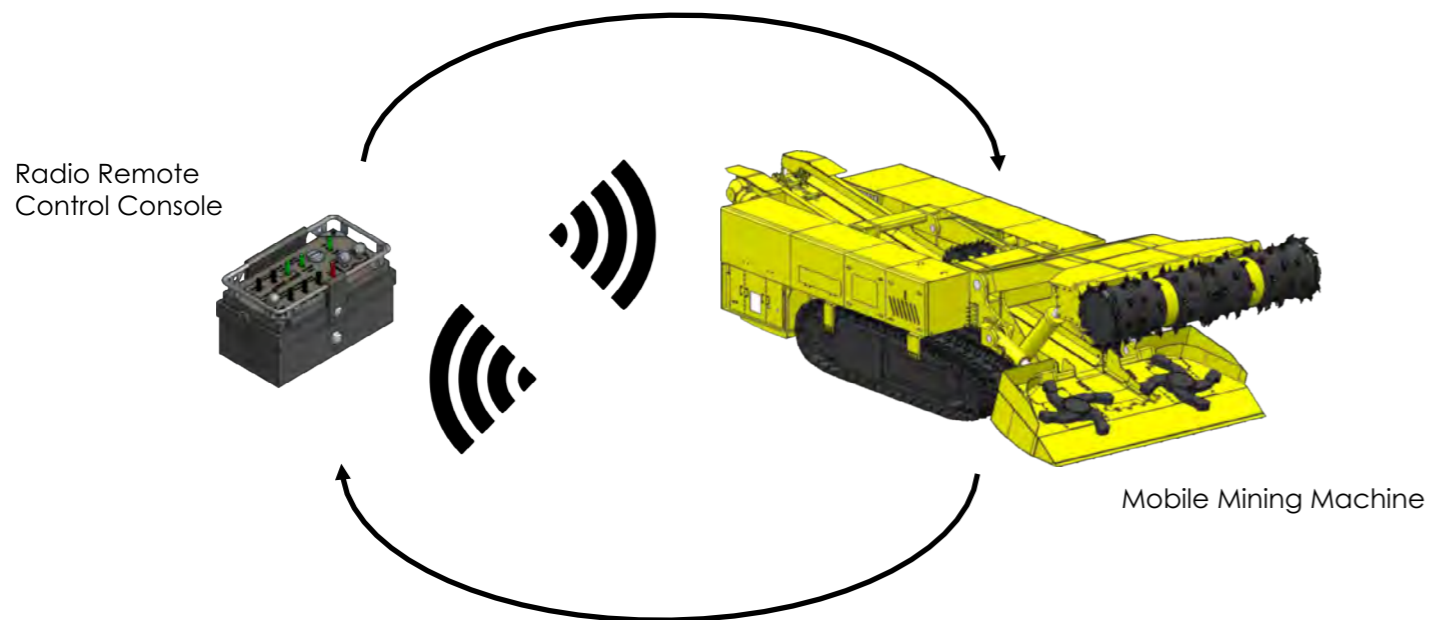
Oracle

The Oracle RC is a self-contained, flameproof (Ex d) radio control data transceiver

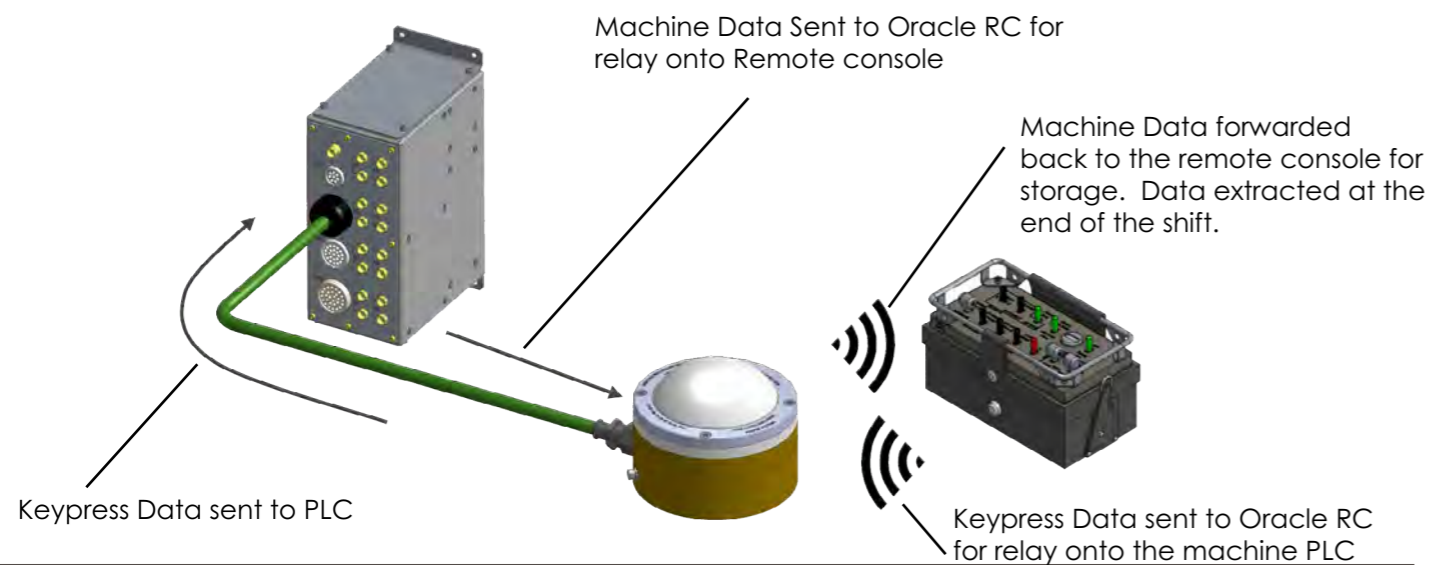
supporting radio remote control of mobile mining machinery. The module communicates with a variety of Pempek manufactured handheld remote control consoles via a 2-way radio data stream.

The Oracle RC Pempek's **Flameproof Radio Remote Control** – Principle of Operation

Remote console sends switch information to control machine



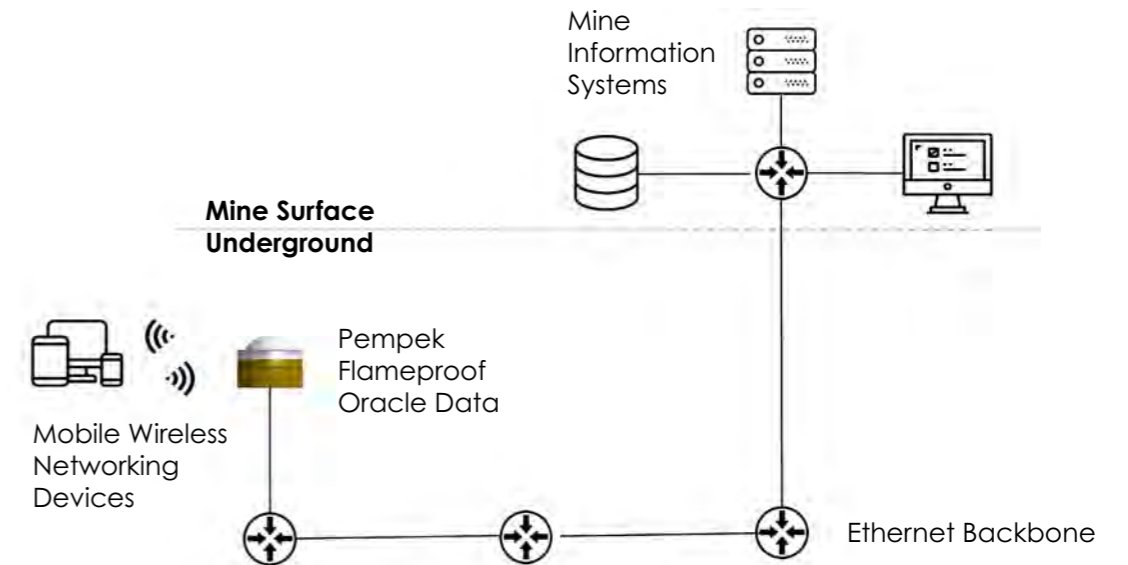
Machine sends data logging and display information to remote console



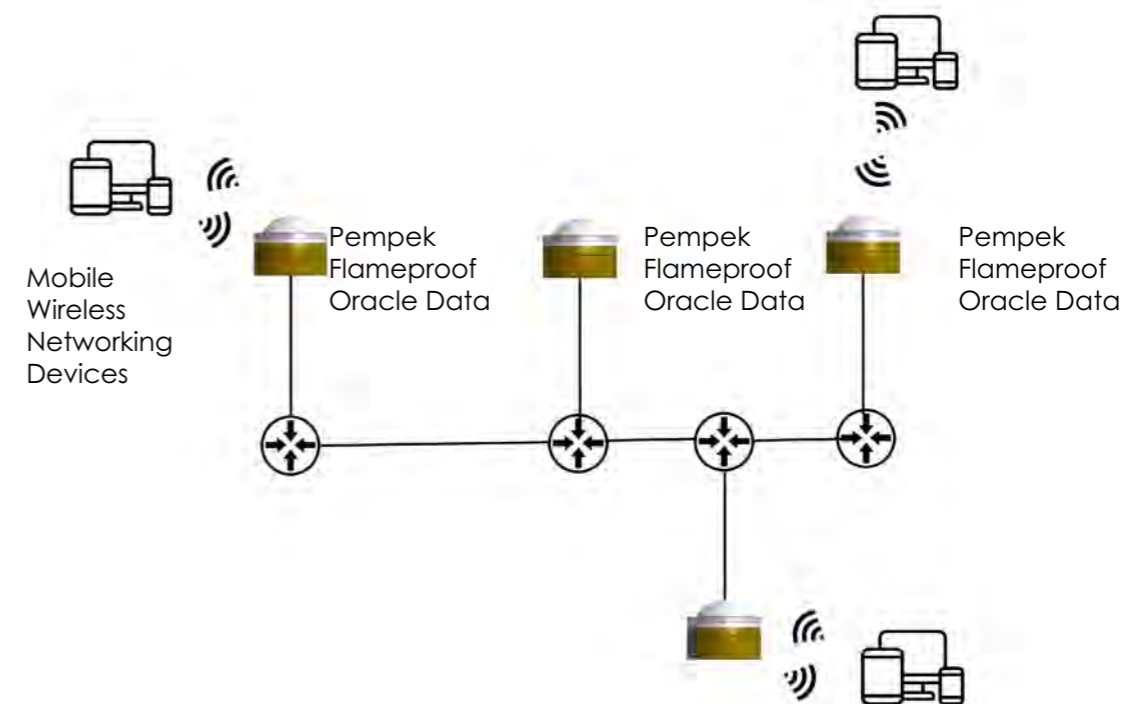
The Oracle Data is a Wireless Ethernet Access Points

for an industrial, flameproof (Ex d) Wireless Data Transceiver Module designed for reliable, high-speed data access in underground mining applications.

The Oracle Data Pempek's **Flameproof Wireless Radio Data** Principle of Operation Underground



The Oracle Data Pempek's **Flameproof Wireless Ethernet** – Principle of Operation (Wireless Mesh Networks) For Hazardous Areas

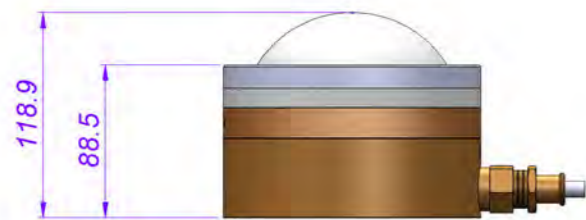
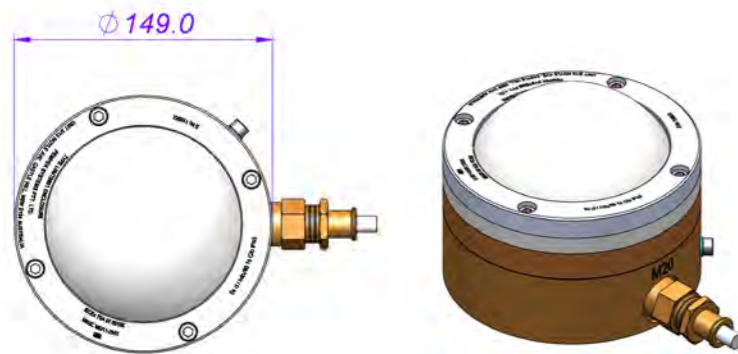


The Oracle RC supports a range of field bus options including RS-422, Ethernet and Ethernet/IP.

A host PLC communicates with the Oracle via key-press commands from the remote handset, and also send machine status and data logging information back to the handset.

The Oracle RC Flameproof Radio Control Transceiver Features & Benefits:

- Self-contained, certified, flameproof (Ex d) housing
- No external antenna cable required
- Antenna is built into the housing of the product
- Flexible power supply options (PoE or 24VDC)
- Single gland entry for power and data cable
- Built in radio control data integrity protection
- Supports PLC safety functions such as handset model verification and handset serial number pairing
- Simple, easy way to add remote control to any flameproof application
- Easy maintenance
- Easy configuration



Mechanical

Dimensions (W) 149mm x (H) 118.9mm

Specifications

- Radio Signal Strength: Less than 100 mW
- Power Supply: 24VDC
- Ambient Temperature: -10°C to +60°C
- Ingress Protection: IP 65
- Field Bus: RS-422 / Ethernet (Ethernet/IP Available, Contact Sales Representative)
- Default Firmware: POTE0001 (RS-422 / Ethernet)
- L0MT0801, L0MT0803, L0MT0804 - Radio Band: 902 to 928 MHz
- L0MT1201 Radio Band: 902 to 928 MHz
- L0MT1401 Radio Band: 868.7 to 869.2 MHz
- L0MT1001 Radio Band: 868.125 to 869.925 MHz
- L0MT1301 -Radio Band: 865.025 to 866.975 MHz

Typical Application

- Underground mining vehicles
- Continuous Miners
- Bolter Miners
- Road Headers
- Longwall Shearers
- Feeder Breakers
- Mobile Bolters
- Shuttle Cars

Ordering Information

Oracle RC Flameproof Radio Control Transceiver (915 MHz Band)

Part Number: L0MT0801

Oracle RC Flameproof Radio Control Transceiver (915 MHz Band) (5VDC)

Part Number: L0MT0803

The L0MT0803 model is only suitable for 5VDC supply.

Oracle RC Flameproof Radio Control Transceiver (915 MHz Band) (ATEX)

Part Number: L0MT0804

The L0MT0804 model is configured only applications requiring ATEX certification.

Oracle RC Flameproof Radio Control Transceiver (MSHA) (915 MHz Band)

Part Number: L0MT1001

The L0MT1001 based on the 868 MHz band.

Oracle RC Flameproof Radio Control Transceiver (866 MHz Band)

Part Number: L0MT1201

This L0MT1201 model supports data/power cable with O.D. range of 6.6 to 9.5mm (Pempek Gland P/N: H0MT2801). A special MSHA-approved cable gland configuration is required

Oracle RC Flameproof Radio Control Transceiver (866 MHz Band)

Part Number: L0MT1301

Oracle RC Flameproof Radio Control Transceiver (Narrow 866 MHz Band)

Part Number: L0MT1401

The L0MT1401 radio frequency configuration makes it suitable for use in Russia.

Note that certification for use in Russia is pending. Contact your sales representative for more details.

The Oracle Data Flameproof Wireless Ethernet Access Point

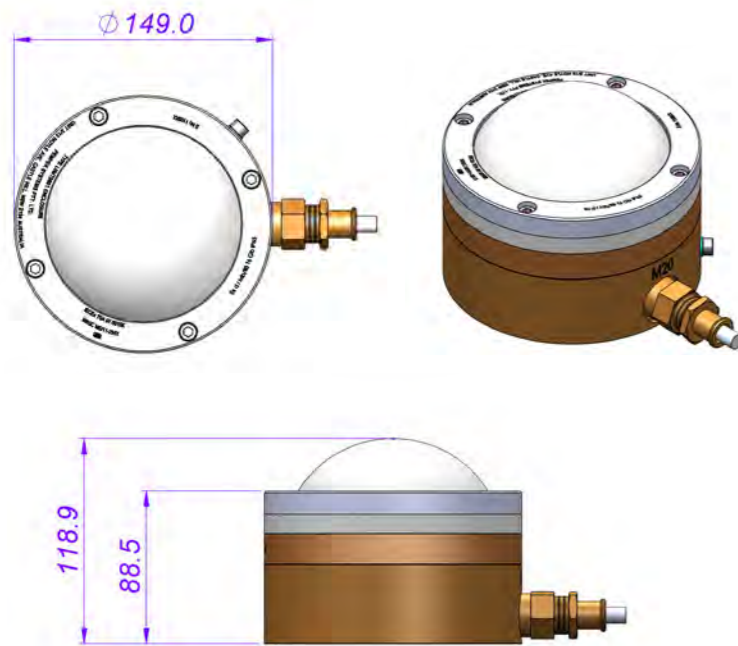
The Oracle Data Flameproof Wireless Ethernet Access Points Features & Benefits:

- Deployment-ready Wireless Networking solution for underground mining
- Self-contained, certified, flameproof (Ex d) housing
- No external antenna cable required
- Antenna is built into the housing of the product
- Flexible power supply options (PoE or 24VDC)
- Single gland entry for power and data cable
- Simple way to add Wireless Networking connectivity
- Cost effective (one product solution)
- Easy maintenance
- Easy configuration

Oracle Data Flameproof Wireless Ethernet Access Point requiring MSHA Cable Gland (USA) Part Number: LOMT0501



Oracle Data Flameproof Wireless Ethernet Access Point requiring IECEx Cable Gland Part Number: LOMT0401 and LOMT0404



Mechanical

Dimensions (W) 149mm x (H) 118.9mm

Specifications

- Wireless Networking Compliance: IEEE 802.11 b/g (2.4 GHz)
- Power Supply: 24VDC or PoE (IEEE 802.3af) (5W Max)
- Ambient Temperature: -10°C to +60°C
- Ingress Protection: IP 65
- Certification IECEx TSA 07.0016X Ex d 1/IIB T6

Typical Application

- Underground mining vehicles
- Longwall face equipment
- Telemetry relay networks
- Mesh networks

Communications

- Media - Ethernet
- Port - 1x 10/100 RJ-45 LAN/WAN
- Throughput - Up to 200Mbps

Ordering Information

Oracle Data Flameproof Wireless Ethernet Access Point requiring IECEx Cable Gland 6.6mm to 9.5mm
Part Number: LOMT0401

Oracle Data Flameproof Wireless Ethernet Access Point requiring IECEx Cable Gland 9mm to 11.9mm
Part Number: LOMT0404

Oracle Data Flameproof Wireless Ethernet Access Point requiring MSHA Cable Gland
Part Number: LOMT0501



Australia | USA | China

www.pempek.com.au | sales@pempek.com.au

3/13 Hoyle Ave Castle Hill NSW 2154 | +61 02 8853 4800



© Pempek 1985 – 2021 www.pempek.com.au

Pempek Systems Pty Ltd ACN 622 172 721 (Pempek) is the owner of all intellectual property rights subsisting in all of its products, software and hardware, as well as all product information contained in this document (including without limitation in respect of all copyright, designs and know-how). Your use of Pempek's products and intellectual property is strictly subject to: Pempek's Licence Terms and Conditions, which are accessible here: <https://pempek.com.au/terms-and-conditions/#PempekIntellectualPropertyLicenceAgreement>

Pempek's Product Terms and Conditions are accessible here: <https://pempek.com.au/terms-and-conditions>
By requesting Pempek to provide its products and services to you, or by continuing to use Pempek's products and services, you confirm your acceptance of the terms and conditions specified above. You agree and acknowledge that these terms form a legally binding agreement between you and Pempek. Pempek reserves the right to amend its terms and conditions at any time.