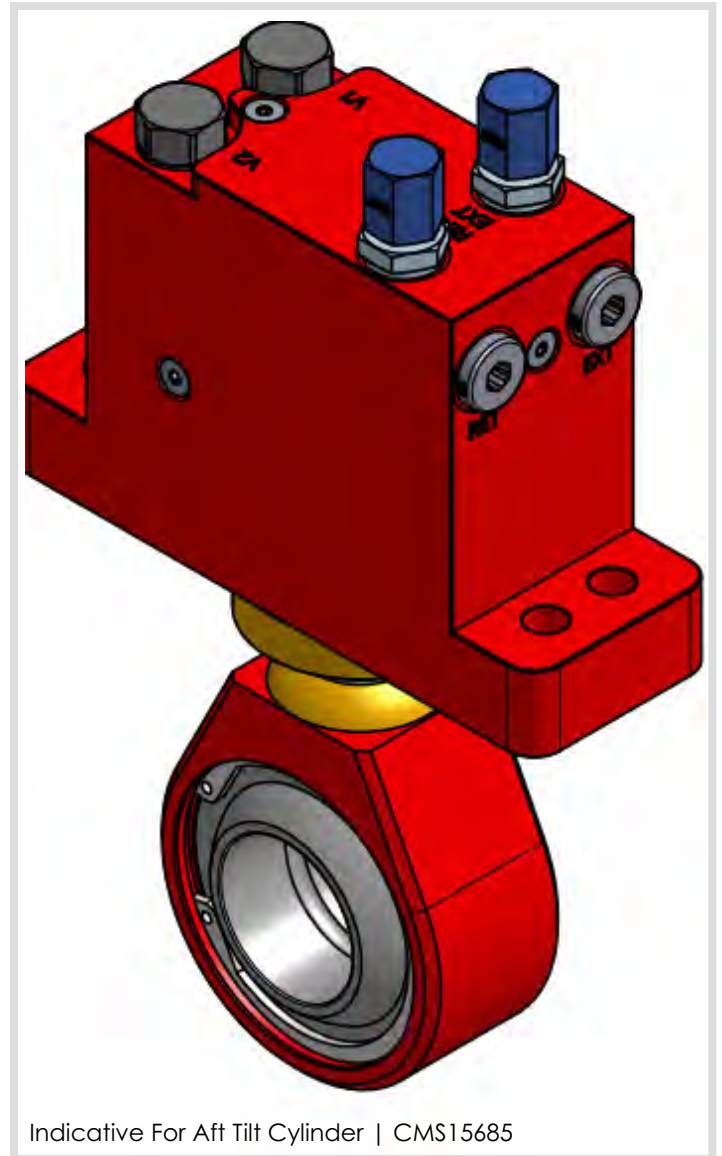


CMS15685 Tilt Cylinder Seal Kit

- 1 x Piston Seal (Dia 50mm Nitrile)
- 2 x O ring (1 x Dia 27mm, 1 x Dia 46mm Nitrile)
- 1 x Rod seal (Dia 32mm Polyurethane)
- 1 x Wear strip (41mm spiral polyester)
- 1 x Wiper seal (Dia 32mm polyester)



Indicative For Aft Tilt Cylinder | CMS15685