

L0L90201 Obelix Power Supply Module 110VAC 24VDC C-FORM (NO/NC) A-FORM Relay (NC)

The L0L9 Obelix Mining PLC Power Supply combines a mining-duty industrial 24-volt D.C. power supply with a pair of relay outputs.

The power supply takes a 110-volt A.C. input and provides stable 24-volt D.C. output (up to 75 watts) for supplying other control system modules.

An industry-standard CAN (Controller Area Network) connection is used to allow a host PLC to control the two relay outputs and read module status.

The L0L9 model supports one C-Form relay (NO/NC) and one A-Form relay (NO).

Relay contacts are rated for 110-volt A.C. switching of inductive loads up to 8-Amperes.



Specifications

- **PLC Family:** Obelix
- **Module Type:** Power Supply + Relay Outputs
- **Supply Input:** 110VAC (+/- 15%) / 80 Watts
- **Supply Output:** 24VDC / 75 Watts (Max)
- **Data Communications:** Obelix CAN (A5/A2)
- **Operating Temperature:** -20°C to 70°C
- **Inputs:** None
- **Outputs:** 2 x Relay Contacts (110V / 8A)
- **Output 1:** Pilot Relay C-Form (NC/NO)
- **Output 2:** Stop Relay A-Form (NC)
- **Connector 1:** Obelix A5 (24VDC Output + CAN Bus)
- **Connector 2:** Obelix A6 (110VAC Input + Relay Outputs)

Material

- Enclosure is Electroless nickel plated mild steel.
- Facia is stainless steel.
- Mounting brackets are stainless steel.

Fasteners

- M5 x 10mm x 4
- M4 x 10mm x 8
- M3 x 10mm x 8

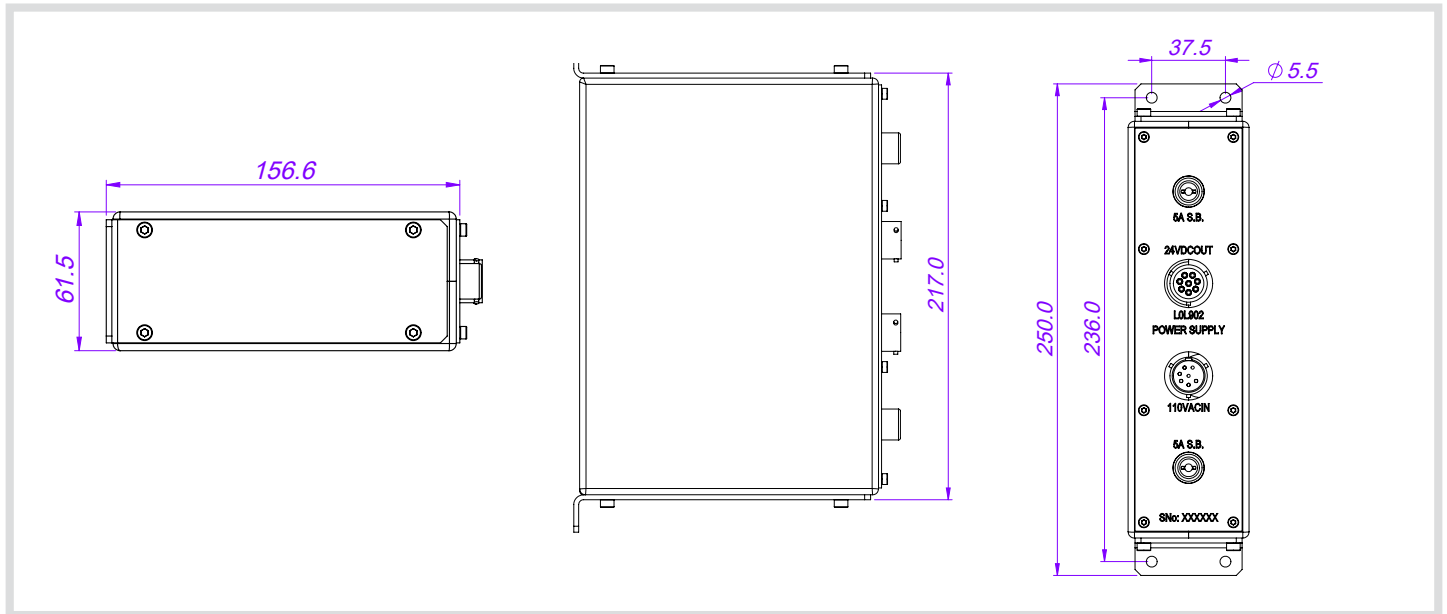
Mass

- 2.5kg (5.5lb)

Typical Applications

- Continuous Bolter/Miners
- Continuous Haulage
- Long Wall Shearers
- Mobile Bolters
- Mobile Roof Supports
- Remote Control Scoops
- Remote Control Loaders
- Any industrial power supply application

L0L90201 Obelix Power Supply Module 110VAC 24VDC C-FORM (NO/NC) A-FORM Relay (NC)



Dimensions (mm)

CONNECTOR Obelix A6

Number	Burndy Female 8 Way	Signal
A6-A	Supply Output	24VDC Supply Output
A6-B	Supply Output	0VDC Supply Output
A6-C	CAN (Positive)	Communications
A6-D	CAN (Positive)	Communications
A6-E	CAN (Negative)	Communications
A6-F	CAN (Negative)	Communications
A6-G	Termination Link 1 – 1	Termination Link Input
A6-H	Termination Link 1 – 2	Termination Link Input

CONNECTOR Obelix A5

Number	Burndy Male 8 Way	Signal
A5-A	110VAC Active Supply Input	110VAC Active Input
A5-B	110VAC Neutral Supply Input	110VAC Neutral Input
A5-C	Pilot Relay Input	110VAC Input
A5-D	Pilot Relay Output (Normally Closed)	110VAC Output
A5-E	Pilot Relay Output (Normally Open)	110VAC Output
A5-F	Control Relay Input	110VAC Input
A5-G	Control Relay Output (Normally Open/Closed)	110VAC Output
A5-H	Control Relay Reference	110VAC Neutral

L0L90201 Obelix Power Supply Module 110VAC 24VDC C-FORM (NO/NC) A-FORM Relay (NC)

Connector Assembly

Part Number	Description
H0L90101	Connector Assembly A6 (2.2 metres)
H0L90201	Connector Assembly A5 (2.2 metres)

Specifications

- **Product Type:** Pre-manufactured cable assembly
- **Construction:** Connector with flying leads (pigtail)
- **H0L90101 Connector 1:** Obelix A6 Female Plug (8-pin)
- **H0L90201 Connector 1:** Obelix A5 Male Plug (8-pin)
- **Connector 2:** Unterminated, flying leads
- **Conductors:** 8
- **Cable Length:** 2.2 m
- **Pin Type:** Female (Gold-plated)
- **Conductor Type:** PVDF Tinned Stranded Wire
- **Insulation Rating:** 600 volts
- **Temperature Rating:** -65°C to 105°C
- **Recommended Tools:** PVDF / Teflon Insulation Stripping Tool

Cable options can vary depending on customer requirements.