

L0L90301 Obelix Power Supply Module 110VAC 24VDC C-FORM (NC) A-Form (NO) Relay

The L0L9 Obelix Mining PLC Power Supply combines a mining-duty industrial 24-volt D.C. power supply with a pair of relay outputs.

The power supply takes a 110-volt A.C. input and provides stable 24-volt D.C. output (up to 75 watts) for supplying other control system modules.

An industry-standard CAN (Controller Area Network) connection is used to allow a host PLC to control the two relay outputs and read module status.

The L0L9 model supports one C-Form relay (NO/NC) and one A-Form relay (NO).

Relay contacts are rated for 110-volt A.C. switching of inductive loads up to 8-Amperes.



Specifications

- **PLC Family:** Obelix
- **Module Type:** Power Supply + Relay Outputs
- **Supply Input:** 110VAC (+/- 15%) / 80 Watts
- **Supply Output:** 24VDC / 75 Watts (Max)
- **Data Communications:** Obelix CAN (A5/A2)
- **Operating Temperature:** -20°C to 70°C
- **Inputs:** None
- **Outputs:** 2 x Relay Contacts (110V / 8A)
- **Output 1:** Pilot Relay C-Form (NC)
- **Output 2:** Stop Relay A-Form (NO)
- **Connector 1:** Obelix A5 (24VDC Output + CAN Bus)
- **Connector 2:** Obelix A6 (110VAC Input + Relay Outputs)

Material

- Enclosure is Electroless nickel plated mild steel.
- Facia is stainless steel.
- Mounting brackets are stainless steel.

Fasteners

- M5 x 10mm x 4
- M4 x 10mm x 8

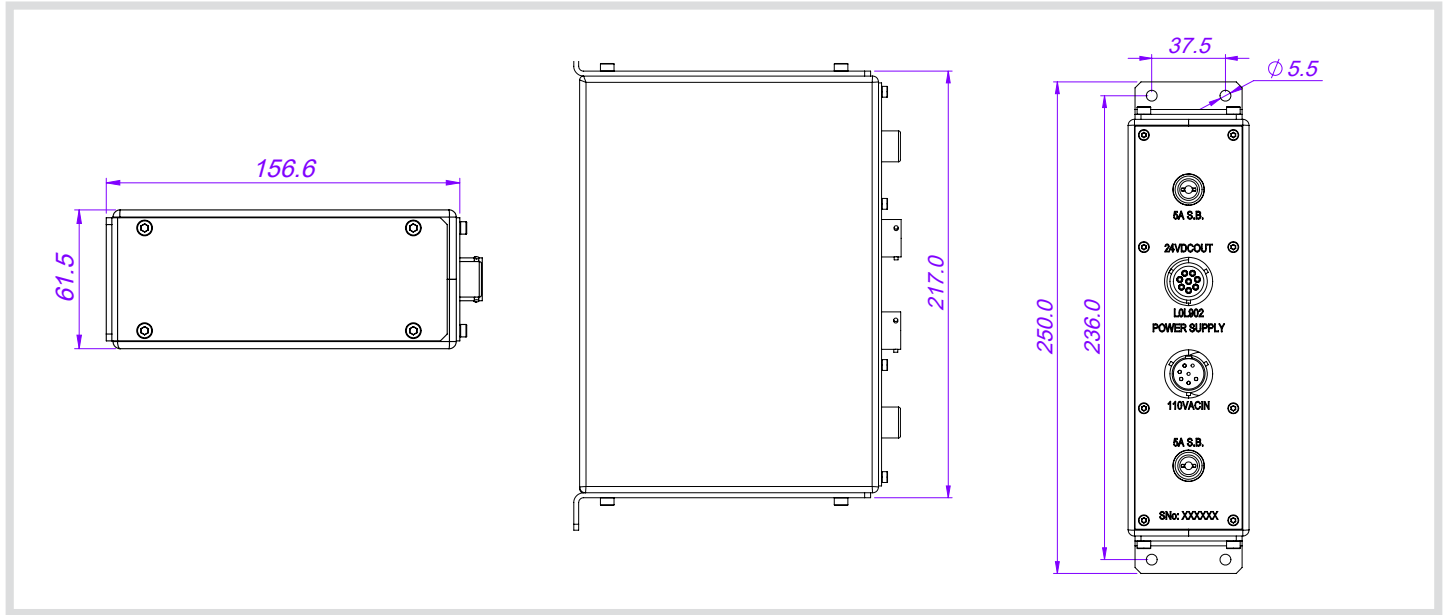
Mass

- 2.5kg (5.5lb)

Typical Applications

- Continuous Bolter/Miners
- Continuous Haulage
- Long Wall Shearers
- Mobile Bolters
- Mobile Roof Supports
- Remote Control Scoops
- Remote Control Loaders
- Any industrial power supply application

L0L90301 Obelix Power Supply Module 110VAC 24VDC C-FORM (NO/NC) A-FORM Relay (NC)



Dimensions (mm)

CONNECTOR Obelix A6

| Number | Burndy Female 8 Way | Signal |
|--------|------------------------|------------------------|
| A6-A | Supply Output | 24VDC Supply Output |
| A6-B | Supply Output | 0VDC Supply Output |
| A6-C | CAN (Positive) | Communications |
| A6-D | CAN (Positive) | Communications |
| A6-E | CAN (Negative) | Communications |
| A6-F | CAN (Negative) | Communications |
| A6-G | Termination Link 1 – 1 | Termination Link Input |
| A6-H | Termination Link 1 – 2 | Termination Link Input |

CONNECTOR Obelix A5

| Number | Burndy Male 8 Way | Signal |
|--------|---|----------------------|
| A5-A | 110VAC Active Supply Input | 110VAC Active Input |
| A5-B | 110VAC Neutral Supply Input | 110VAC Neutral Input |
| A5-C | Pilot Relay Input | 110VAC Input |
| A5-D | Pilot Relay Output (Normally Closed) | 110VAC Output |
| A5-E | Pilot Relay Output (Normally Open) | 110VAC Output |
| A5-F | Control Relay Input | 110VAC Input |
| A5-G | Control Relay Output (Normally Open/Closed) | 110VAC Output |
| A5-H | Control Relay Reference | 110VAC Neutral |

L0L90301 Obelix Power Supply Module 110VAC 24VDC C-FORM (NO/NC) A-FORM Relay (NC)

Connector Assembly

| Part Number | Description |
|-------------|-----------------------|
| H0L90101 | Connector Assembly A6 |
| H0L90201 | Connector Assembly A5 |

Specifications

- **Product Type:** Pre-manufactured cable assembly
- **Construction:** Connector with flying leads (pigtail)
- **H0L90101 Connector 1:** Obelix A6 Female Plug (8-pin)
- **H0L90201 Connector 1:** Obelix A5 Male Plug (8-pin)
- **Connector 2:** Unterminated, flying leads
- **Conductors:** 8
- **Cable Length:** 2.2 m
- **Pin Type:** Female (Gold-plated)
- **Conductor Type:** PVDF Tinned Stranded Wire
- **Insulation Rating:** 600 volts
- **Temperature Rating:** -65°C to 105°C
- **Recommended Tools:** PVDF / Teflon Insulation Stripping Tool

Cable options can vary depending on customer requirements.