

L0LA0201 Obelix Colour Graphics Display Module 10.4 Windows

The Type L0LA Graphics Display is a fully integrated water proof display module. L0LA, as it is affectionately known, combines a mix of industrial components and rugged manufacture making it suitable for all industrial applications where distributed display technology is required.



Specifications

Embedded Industrial Graphics Module

- 10.4" TFT Active Matrix Colour Panel
- SVGA Resolution
- 120° Viewing Angle

Embedded Industrial Control Module

- 300MHz Geode Processor (Fanless)
- 256MB Solid State Disk
- 128MB RAM (Non Socketed)
- Windows CE or Linux
- Site Programmable

RS-422 Network

- Optically Isolated
- Full Duplex to 115Kbps

Ethernet Network

- 10BaseT Ethernet
- Static and Dynamic IP

Operates -10 C to +65 C

- All industrial components

Supply 90VAC – 260VAC

- 50/60Hz
- 20W

Heavy Duty Enclosure

- Electroless Nickel Plated
- Environmental protection to IP67
- Rugged Construction

Material

- Enclosure is electroless nickel plated mild steel.
- Bezel is electroless nickel plated brass.
- Lense is Lexan.
- Mounting brackets are stainless steel.

Fasteners

- M5 x 10mm x 8
- M4 x 10mm x 22
- M3 x 10mm x 4

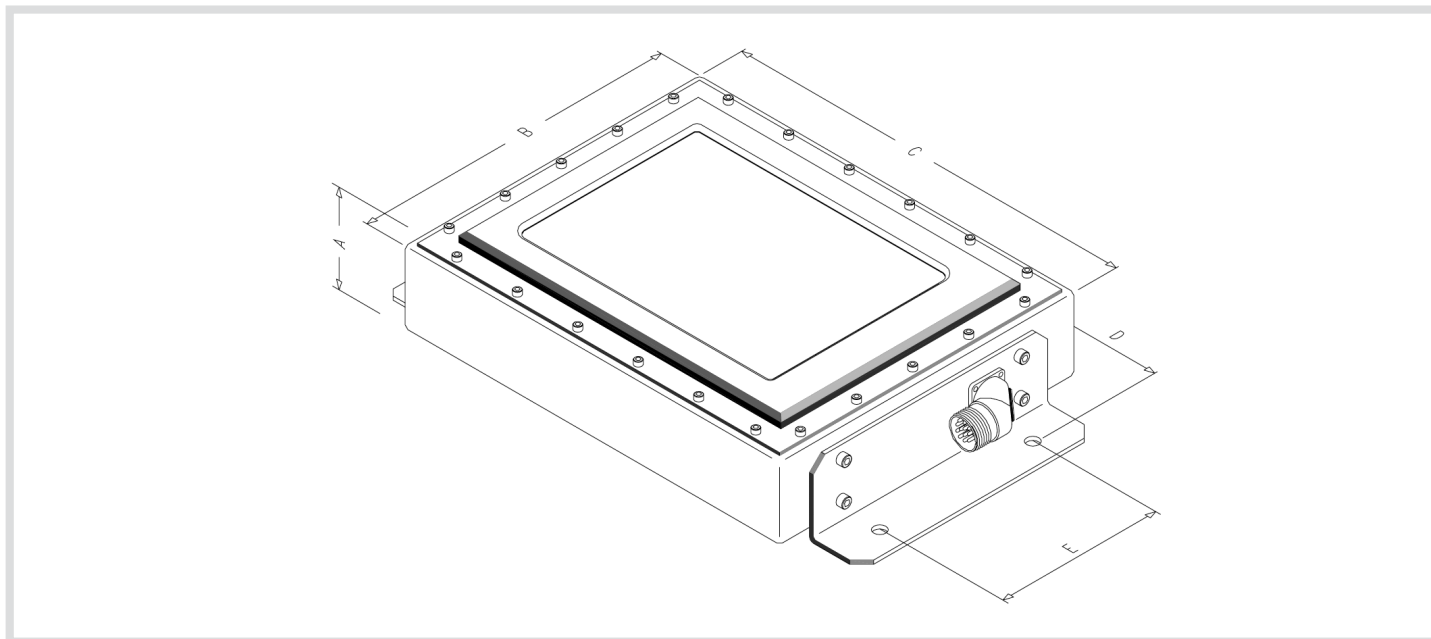
Mass

- 8.5kg (18.7lb)

Typical Applications

- Continuous Miners
- Continuous Haulage
- Long Wall Shearers
- Mobile Bolters
- Mobile Roof Supports
- Remote Control Scoops
- Remote Control Loaders
- Control Room Surface Monitoring

L0LA0201 Obelix Colour Graphics Display Module 10.4 Windows



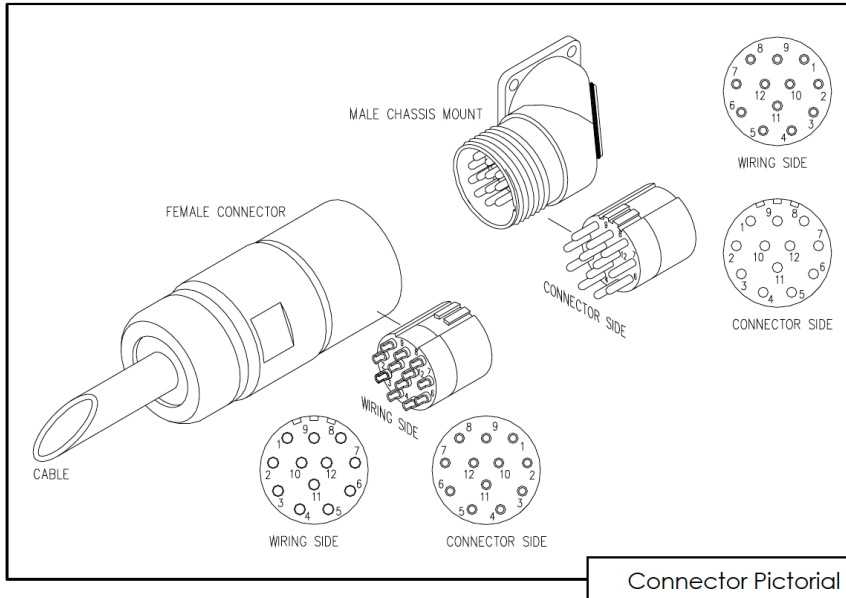
Dimensions (mm)

Dimension	Measurement	Description
A	70	Height
B	249	Depth
C	316	Width
D	360	Mounting Centre- Width
E	145	Mounting Centre - Depth

L0LA0201 Obelix Colour Graphics Display Module 10.4 Windows

Interface Description

The Type L0LA Display Module utilizes an industrial waterproof connector that is unique when configured for use with the Obelix Control System via type or gender physically preventing improper installation.



Connector Pictorial

CONNECTOR X

Number	Contact Circon R 2.5 12Pin Male	Signal
X-1	Supply Input	110VAC Active
X-2	N/C	N/C
X-3	Supply Input	110VAC Neutral
X-4	RS-422 #1 RXD-	Communications
X-5	RS-422 #1 RXD+	Communications
X-6	RS-422 #1 TXD-	Communications
X-7	RS-422 #1 TXD+	Communications
X-8	Ethernet 10BaseT RXD+	Communications
X-9	Ethernet 10BaseT RXD-	Communications
X-10	Ethernet 10BaseT TXD+	Communications
X-11	Ethernet 10BaseT TXD-	Communications
X-12	N/C	N/C

Connector Assembly

Part Number	Description
H0LA0101	Connector Assembly Display 3.7m
H0LA0401	Connector Assembly Display 7m
H0LA0701	Connector Assembly Display 2.5m