

## L0LE0301 Obelix Industrial I/O Module Type B

The L0LE Mining PLC Relay I/O Module provides a collection of relay outputs, digital inputs and analog inputs in a compact form factor that is well suited to mobile mining applications.

The industry-standard CAN (Controller Area Network) connection provides a host PLC with the ability to control and monitor all I/O resources.

### Specifications

#### Embedded 110VAC Digital Input Module

- 16 x 110VAC Inputs
- Embedded Temperature Sensor
- Microprocessor Controlled Sampling
- Minimum Voltage 75VAC
- Maximum Voltage 145VAC

#### Embedded 4-20mA Analogue Input Module

- 24 x 4-20mA Inputs
- Embedded Temperature Sensor
- Microprocessor Controlled Sampling
- Resolution 8 bits (255 units)

#### Embedded 110VAC Relay Output Module

- 10 x Dual Relay Contacts – 100K+ Operations
- Multi-Stage Diagnostic Monitoring
- 110VAC, 16A Switching Capacity
- Sequential Switching Redundancy
- Microprocessor Controlled

#### Supply

- Voltage 24VDC Nominal
- Wattage MIN 1W
- Wattage MAX 24W

#### CAN Network

- Opto-Coupler Isolation
- CAN 2.0B Compatible

#### Operates -10 C to +85 C

- All industrial components

#### Heavy Duty Enclosure

- Electroless Nickel Plated
- Rugged Construction

#### Material

- Enclosure is Electroless nickel plated mild steel.
- Facia is stainless steel.
- Mounting brackets are stainless steel.

#### Fasteners

- M5 x 10mm x 4
- M4 x 10mm x 8
- M3 x 10mm x 8

#### Mass

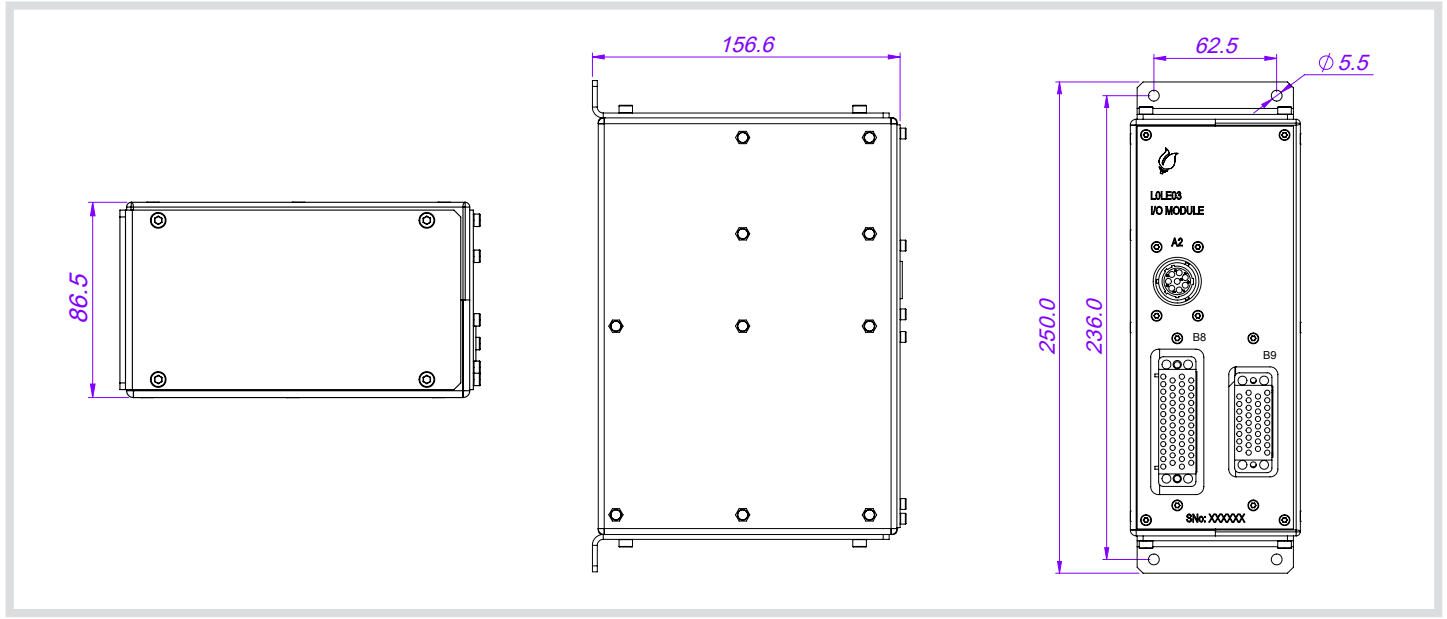
- 4.5kg (10.1lb)



### Typical Applications

- Continuous Bolter/Miners
- Continuous Haulage
- Long Wall Shearers
- Mobile Bolters
- Mobile Roof Supports
- Remote Control Scoops
- Remote Control Loaders
- Any industrial switching application

L0LE0301 Obelix Industrial I/O Module Type B



Dimensions (mm)

CONNECTOR A2

PIN	Connector A2 Burndy Female 8 Way	Signal
A2-A	Supply Input	24VDC Supply Input
A2-B	Supply Input	0VDC Supply Input
A2-C	CAN A (Positive)	Communications
A2-D	CAN A (Positive)	Communications
A2-E	CAN A (Negative)	Communications
A2-F	CAN A (Negative)	Communications
A2-G	Termination Link 1 - 1	Termination Link Input
A2-H	Termination Link 1 - 2	Termination Link Input



## L0LE0301 Obelix Industrial I/O Module Type B

### CONNECTOR A9

PIN	Connector A9 V35 Female 34 Way	Signal
B9-A	Relay 1 (Input)	110VAC Input
B9-B	Relay 1 (Output)	110VAC Output
B9-C	Relay 1 (Input)	110VAC Input
B9-D	Relay 1 (Output)	110VAC Output
B9-E	Relay 1 (Input)	110VAC Input
B9-F	Relay 1 (Output)	110VAC Output
B9-H	Relay 1 (Input)	110VAC Input
B9-J	Relay 1 (Output)	110VAC Output
B9-K	Relay 1 (Input)	110VAC Input
B9-L	Relay 1 (Output)	110VAC Output
B9-M	Relay 1 (Input)	110VAC Input
B9-N	Relay 1 (Output)	110VAC Output
B9-P	Relay 1 (Input)	110VAC Input
B9-R	Relay 1 (Output)	110VAC Output
B9-S	Relay 1 (Input)	110VAC Input
B9-T	Relay 1 (Output)	110VAC Output
B9-U	Relay 1 (Input)	110VAC Input
B9-V	Relay 1 (Output)	110VAC Output
B9-W	Relay 1 (Input)	110VAC Input
B9-X	Relay 1 (Output)	110VAC Output
B9-Y	Reference - Relays 1 & 2	110VAC Neutral
B9-Z	Reference - Relays 3 & 4	110VAC Neutral
B9-AA	Reference - Relays 5 & 6	110VAC Neutral
B9-BB	Reference - Relays 7 & 8	110VAC Neutral
B9-CC	Reference - Relays 9 & 10	110VAC Neutral



Image depict coding pins required

## L0LE0301 Obelix Industrial I/O Module Type B

### CONNECTOR B8

PIN	Connector B8 V35 Female 34 Way	Signal
B8-A	Analog Ground	Analog Reference
B8-B	Analog Supply External	Analog Supply Output
B8-C	Analog Input 13	4-20mA Input
B8-D	Analog Input 12	4-20mA Input
B8-E	Analog Input 14	4-20mA Input
B8-F	Analog Input 11	4-20mA Input
B8-H	Analog Input 15	4-20mA Input
B8-J	Analog Input 10	4-20mA Input
B8-K	Analog Input 16	4-20mA Input
B8-L	Analog Input 9	4-20mA Input
B8-M	Analog Input 17	4-20mA Input
B8-N	Analog Input 8	4-20mA Input
B8-P	Analog Input 18	4-20mA Input
B8-R	Analog Input 7	4-20mA Input
B8-S	Analog Input 19	4-20mA Input
B8-T	Analog Input 6	4-20mA Input
B8-U	Analog Input 20	4-20mA Input
B8-V	Analog Input 5	4-20mA Input
B8-W	Analog Input 21	4-20mA Input
B8-X	Analog Input 4	4-20mA Input
B8-Y	Analog Input 22	4-20mA Input
B8-Z	Analog Input 3	4-20mA Input
B8-a	Analog Input 23	4-20mA Input
B8-b	Analog Input 2	4-20mA Input
B8-c	Analog Input 24	4-20mA Input
B8-d	Analog Input 1	4-20mA Input
B8-e	-	-
B8-f	Digital Input 16	110VAC Digital Input
B8-h	-	-
B8-j	Digital Input 15	110VAC Digital Input
B8-k	-	-
B8-m	Digital Input 14	110VAC Digital Input
B8-n	Digital Input Reference	110VAC Neutral
B8-p	Digital Input 13	110VAC Digital Input
B8-r	Digital Input Reference	110VAC Neutral
B8-s	-	-
B8-t	Digital Input Reference	110VAC Neutral
B8-u	Digital Input Reference	110VAC Neutral
B8-v	Digital Input 1	110VAC Digital Input
B8-w	Digital Input 12	110VAC Digital Input
B8-x	Digital Input 2	110VAC Digital Input
B8-y	Digital Input 11	110VAC Digital Input
B8-z	Digital Input 3	110VAC Digital Input
B8-AA	Digital Input 10	110VAC Digital Input
B8-BB	Digital Input 5	110VAC Digital Input
B8-CC	Digital Input 9	110VAC Digital Input
B8-DD	Digital Input 4	110VAC Digital Input
B8-EE	Digital Input 7	110VAC Digital Input
B8-FF	Digital Input 6	110VAC Digital Input
B8-HH	Digital Input 8	110VAC Digital Input

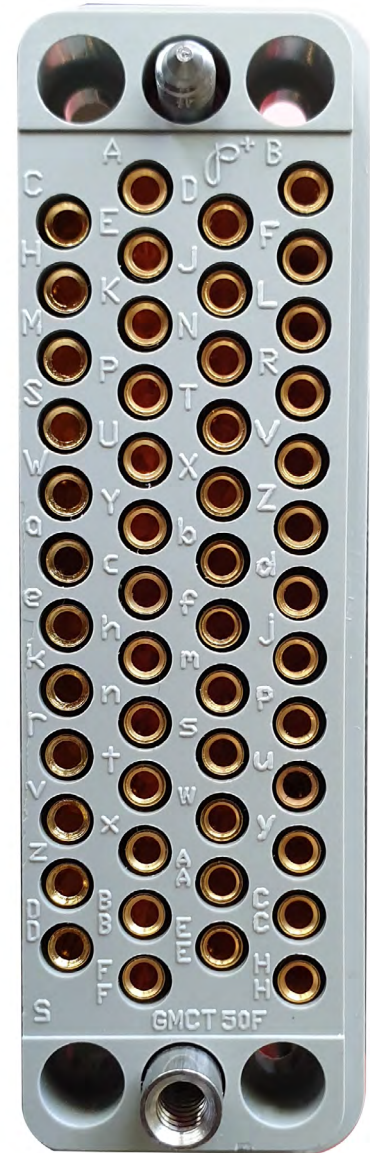


Image depict coding pins required

## L0LE0301 Obelix Industrial I/O Module Type B

### Connector Assembly

Part Number	Description
H0LE0201	Connector Assembly B8 (2.2 metres)
H0LE0401	Connector Assembly B9 (2.2 metres)

### Connector Assembly Specifications

- **Product Type:** Pre-manufactured cable assembly
- **Construction:** Connector with flying leads (pigtail)
- **H0LE0201 Connector 1:** Obelix B8 Male Plug (50-pin)
- **H0LE0401 Connector 1:** Obelix B9 Male Plug (34-pin)
- **Connector 2:** Unterminated, flying leads
- **H0LE201 Conductors:** 46
- **H0LE0401 Conductors:** 25
- **Cable Length:** 2.2 metres
- **Pin Type:** Female (Gold-plated)
- **Conductor Type:** PVDF Tinned Stranded Wire
- **Insulation Rating:** 600 volts
- **Temperature Rating:** -65°C to 105°C
- **Recommended Tools:** PVDF / Teflon Insulation Stripping Tool

Cable options can vary depending on customer requirements.