

L0LE0701 Obelix Industrial I/O Module 10 Relay 220VAC Type A

The L0LE Mining PLC Relay I/O Module provides a collection of relay outputs, digital inputs and analog inputs in a compact form factor that is well suited to mobile mining applications.

The industry-standard CAN (Controller Area Network) connection provides a host PLC with the ability to control and monitor all I/O resources.

Specifications

Embedded 220VAC Digital Input Module

- 16 x 220VAC Inputs
- Embedded Temperature Sensor
- Microprocessor Controlled Sampling
- Minimum Voltage 75VAC
- Maximum Voltage 145VAC

Embedded 4-20mA Analogue Input Module

- 24 x 4-20mA Inputs
- Embedded Temperature Sensor
- Microprocessor Controlled Sampling
- Resolution 8 bits (255 units)

Embedded 220VAC Relay Output Module

- 10 x Dual Relay Contacts – 100K+ Operations
- Multi-Stage Diagnostic Monitoring
- 110VAC, 16A Switching Capacity
- Sequential Switching Redundancy
- Microprocessor Controlled

Supply

- Voltage 24VDC Nominal
- Wattage MIN 1W
- Wattage MAX 24W

CAN Network

- Opto-Coupler Isolation
- CAN 2.0B Compatible

Operates -10 C to +85 C

- All industrial components

Heavy Duty Enclosure

- Electroless Nickel Plated
- Rugged Construction

Material

- Enclosure is Electroless nickel plated mild steel.
- Facia is stainless steel.
- Mounting brackets are stainless steel.

Fasteners

- M5 x 10mm x 4
- M4 x 10mm x 8
- M3 x 10mm x 8

Mass

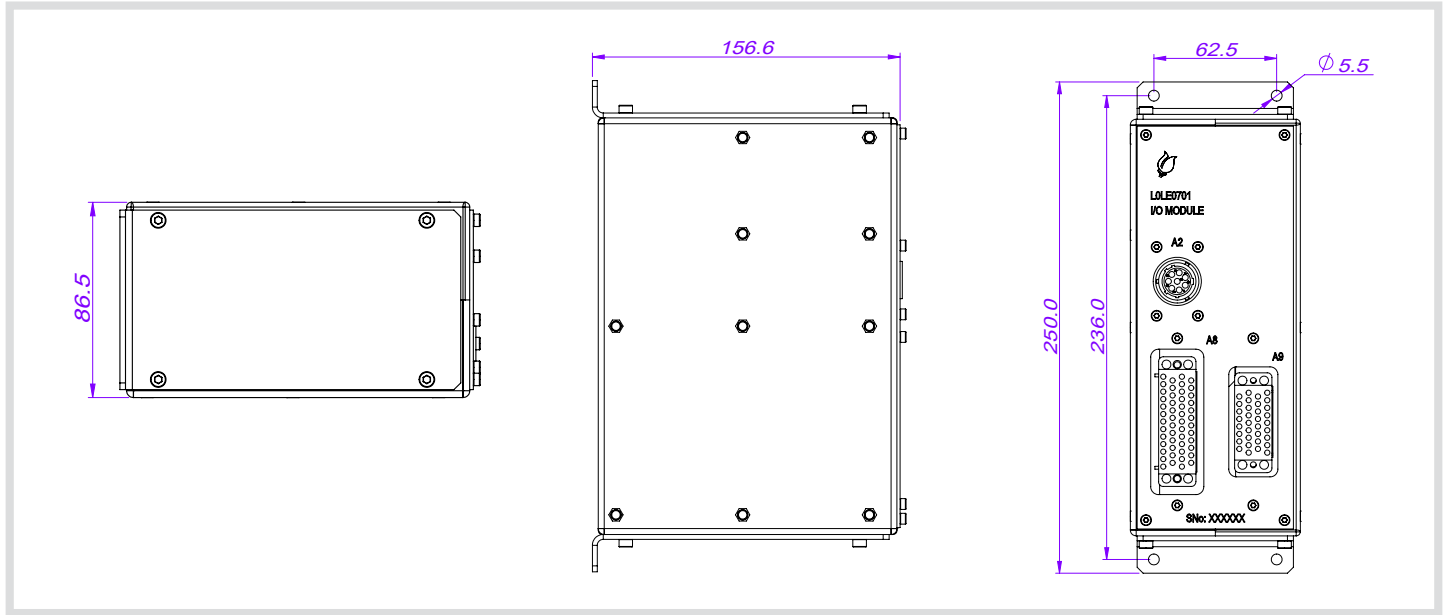
- 4.5kg (10.1lb)



Typical Applications

- Continuous Bolter/Miners
- Continuous Haulage
- Long Wall Shearers
- Mobile Bolters
- Mobile Roof Supports
- Remote Control Scoops
- Remote Control Loaders
- Any industrial switching application

L0LE0701 Obelix Industrial I/O Module 10 Relay 220VAC Type A



Dimensions (mm)

CONNECTOR A2

PIN	Connector A2 Burndy Female 8 Way	Signal
A2-A	Supply Input	24VDC Supply Input
A2-B	Supply Input	0VDC Supply Input
A2-C	CAN A (Positive)	Communications
A2-D	CAN A (Positive)	Communications
A2-E	CAN A (Negative)	Communications
A2-F	CAN A (Negative)	Communications
A2-G	Termination Link 1 - 1	Termination Link Input
A2-H	Termination Link 1 - 2	Termination Link Input



L0LE0701 Obelix Industrial I/O Module 10 Relay 220VAC Type A

CONNECTOR A9

PIN	Connector A9 V35 Female 34 Way	Signal
A9-A	Relay 1 (Input)	220VAC Input
A9-B	Relay 1 (Output)	220VAC Output
A9-C	Relay 1 (Input)	220VAC Input
A9-D	Relay 1 (Output)	220VAC Output
A9-E	Relay 1 (Input)	220VAC Input
A9-F	Relay 1 (Output)	220VAC Output
A9-H	Relay 1 (Input)	220VAC Input
A9-J	Relay 1 (Output)	220VAC Output
A9-K	Relay 1 (Input)	220VAC Input
A9-L	Relay 1 (Output)	220VAC Output
A9-M	Relay 1 (Input)	220VAC Input
A9-N	Relay 1 (Output)	220VAC Output
A9-P	Relay 1 (Input)	220VAC Input
A9-R	Relay 1 (Output)	220VAC Output
A9-S	Relay 1 (Input)	220VAC Input
A9-T	Relay 1 (Output)	220VAC Output
A9-U	Relay 1 (Input)	220VAC Input
A9-V	Relay 1 (Output)	220VAC Output
A9-W	Relay 1 (Input)	220VAC Input
A9-X	Relay 1 (Output)	220VAC Output
A9-Y	Reference - Relays 1 & 2	220VAC Neutral
A9-Z	Reference - Relays 3 & 4	220VAC Neutral
A9-AA	Reference - Relays 5 & 6	220VAC Neutral
A9-BB	Reference - Relays 7 & 8	220VAC Neutral
A9-CC	Reference - Relays 9 & 10	220VAC Neutral



Image depict coding pins required

L0LE0701 Obelix Industrial I/O Module 10 Relay 220VAC Type A

CONNECTOR A8

PIN	Connector A8 V35 Female 34 Way	Signal
A8-A	Analog Ground	Analog Reference
A8-B	Analog Supply External	Analog Supply Output
A8-C	Analog Input 13	4-20mA Input
A8-D	Analog Input 12	4-20mA Input
A8-E	Analog Input 14	4-20mA Input
A8-F	Analog Input 11	4-20mA Input
A8-H	Analog Input 15	4-20mA Input
A8-J	Analog Input 10	4-20mA Input
A8-K	Analog Input 16	4-20mA Input
A8-L	Analog Input 9	4-20mA Input
A8-M	Analog Input 17	4-20mA Input
A8-N	Analog Input 8	4-20mA Input
A8-P	Analog Input 18	4-20mA Input
A8-R	Analog Input 7	4-20mA Input
A8-S	Analog Input 19	4-20mA Input
A8-T	Analog Input 6	4-20mA Input
A8-U	Analog Input 20	4-20mA Input
A8-V	Analog Input 5	4-20mA Input
A8-W	Analog Input 21	4-20mA Input
A8-X	Analog Input 4	4-20mA Input
A8-Y	Analog Input 22	4-20mA Input
A8-Z	Analog Input 3	4-20mA Input
A8-a	Analog Input 23	4-20mA Input
A8-b	Analog Input 2	4-20mA Input
A8-c	Analog Input 24	4-20mA Input
A8-d	Analog Input 1	4-20mA Input
A8-e	-	-
A8-f	Digital Input 16	220VAC Digital Input
A8-h	-	-
A8-j	Digital Input 15	220VAC Digital Input
A8-k	-	-
A8-m	Digital Input 14	220VAC Digital Input
A8-n	Digital Input Reference	220VAC Neutral
A8-p	Digital Input 13	220VAC Digital Input
A8-r	Digital Input Reference	220VAC Neutral
A8-s	-	-
A8-t	Digital Input Reference	220VAC Neutral
A8-u	Digital Input Reference	220VAC Neutral
A8-v	Digital Input 1	220VAC Digital Input
A8-w	Digital Input 12	220VAC Digital Input
A8-x	Digital Input 2	220VAC Digital Input
A8-y	Digital Input 11	220VAC Digital Input
A8-z	Digital Input 3	220VAC Digital Input
A8-AA	Digital Input 10	220VAC Digital Input
A8-BB	Digital Input 5	220VAC Digital Input
A8-CC	Digital Input 9	220VAC Digital Input
A8-DD	Digital Input 4	220VAC Digital Input
A8-EE	Digital Input 7	220VAC Digital Input
A8-FF	Digital Input 6	220VAC Digital Input
A8-HH	Digital Input 8	220VAC Digital Input

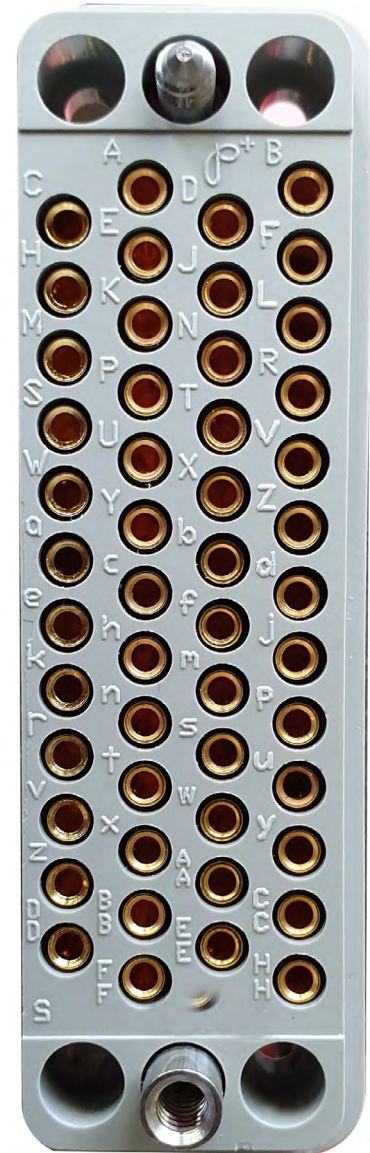


Image depict coding pins required

L0LE0701 Obelix Industrial I/O Module 10 Relay 220VAC Type A

Connector Assembly

Part Number	Description
HOLE0101	Connector Assembly A8 (2.2 metres)
HOLE0301	Connector Assembly A9 (2.2 metres)

Connector Assembly Specifications

- **Product Type:** Pre-manufactured cable assembly
- **Construction:** Connector with flying leads (pigtail)
- **HOLE0101 Connector 1:** Obelix A8 Male Plug (50-pin)
- **HOLE0301 Connector 1:** Obelix A9 Male Plug (34-pin)
- **Connector 2:** Unterminated, flying leads
- **HOLE0101 Conductors:** 46
- **HOLE0301 Conductors:** 25
- **Cable Length:** 2.2 metres
- **Pin Type:** Female (Gold-plated)
- **Conductor Type:** PVDF Tinned Stranded Wire
- **Insulation Rating:** 600 volts
- **Temperature Rating:** -65°C to 105°C
- **Recommended Tools:** PVDF / Teflon Insulation Stripping Tool

Cable options can vary depending on customer requirements.