

L0LH0301 Obelix Thermistors Module Type A

The L0LH0301 Mining PLC Thermistor Module provides sixteen (16) inputs for monitoring resistive-type temperature sensors

Both PT100 and Thermistor type RTDs are supported. With built-in high voltage isolation; the module is very well suited to monitoring temperature sensors inside electric motor windings.

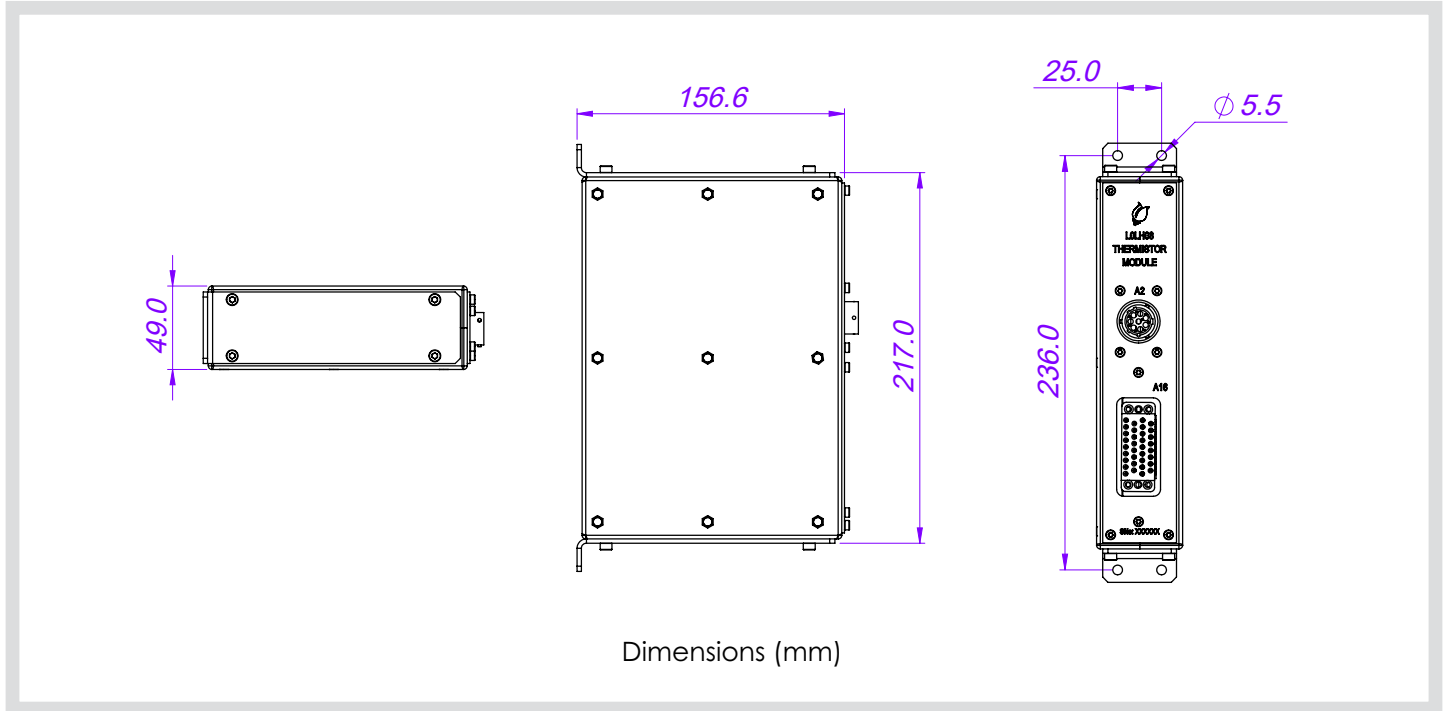
- **Embedded Thermistor Module**
16 Thermistor / RTD Inputs
Voltage 18VDC
Microprocessor Controlled
- **Outputs:** None
- **Connector 1:** Obelix A2
(24VDC Input + CAN Bus)
- **Connector 2:** Obelix A16
(Resistor Inputs and separate 12VAC supply)
- **CAN Network**
Opto-Coupler Isolation
CAN 2.0B Compatible
Throughput 500kbs (Supports Autobaud)
- **Operates -20°C to +70°C**
All industrial components
- **Heavy Duty Enclosure**
Electros Nickel Plated
Rugged Construction
- **Supply Input**
1: 24VDC (+/- 10%) / 3 Watts (Max) Supply Input
2: 12VAC (+/- 15%) / 2 Watts (Max)
- **Material**
Enclosure is Electroless nickel plated mild steel
Facia is stainless steel
Mounting brackets are stainless steel
- **Fasteners**
M5 x 10mm x 4
M4 x 10mm x 8
M3 x 10mm x 10
- **Mass**
2.5kg (5.5lb)



Typical Applications

- Continuous Bolter/Miners
- Continuous Haulage
- Long Wall Shearers
- Mobile Bolters
- Mobile Roof Supports
- Remote Control Scoops
- Remote Control Loaders
- Any industrial power supply application

LOLH0301 Obelix Thermistors Module Type A



CONNECTOR A2

PIN	Connector A2 Burndy Female 8 Way	Signal
A2-A	Supply Input	24VDC Supply Input
A2-B	Supply Input	0VDC Supply Input
A2-C	CAN A (Positive)	Communications
A2-D	CAN A (Positive)	Communications
A2-E	CAN A (Negative)	Communications
A2-F	CAN A (Negative)	Communications
A2-G	Termination Link 1 - 1	Termination Link Input
A2-H	Termination Link 1 - 2	Termination Link Input



LOLH0301 Obelix Thermistors Module Type A

CONNECTOR A16

PIN	Connector A16 V35 Female 34 Way	Signal
A14-A	Supply Input	12VAC Active
A14-B	Supply Input	12VAC Neutral
A14-C	Thermistor Input 1 (A)	18VDC Supply
A14-D	Thermistor Input 1 (B)	18VDC Return
A14-E	Thermistor Input 2 (A)	18VDC Supply
A14-F	Thermistor Input 2 (B)	18VDC Return
A14-H	Thermistor Input 3 (A)	18VDC Supply
A14-J	Thermistor Input 3 (B)	18VDC Return
A14-K	Thermistor Input 4 (A)	18VDC Supply
A14-L	Thermistor Input 4 (B)	18VDC Return
A14-M	Thermistor Input 5 (A)	18VDC Supply
A14-N	Thermistor Input 5 (B)	18VDC Return
A14-P	Thermistor Input 6 (A)	18VDC Supply
A14-R	Thermistor Input 6 (B)	18VDC Return
A14-S	Thermistor Input 7 (A)	18VDC Supply
A14-T	Thermistor Input 7 (B)	18VDC Return
A14-U	Thermistor Input 8 (A)	18VDC Supply
A14-V	Thermistor Input 8 (B)	18VDC Return
A14-W	Thermistor Input 9 (A)	18VDC Supply
A14-X	Thermistor Input 9 (B)	18VDC Return
A14-Y	Thermistor Input 10 (A)	18VDC Supply
A14-Z	Thermistor Input 10 (B)	18VDC Return
A14-AA	Thermistor Input 11 (A)	18VDC Supply
A14-BB	Thermistor Input 11 (B)	18VDC Return
A14-CC	Thermistor Input 12 (A)	18VDC Supply
A14-DD	Thermistor Input 12 (B)	18VDC Return
A14-EE	Thermistor Input 13 (A)	18VDC Supply
A14-FF	Thermistor Input 13 (B)	18VDC Return
A14-HH	Thermistor Input 14 (A)	18VDC Supply
A14-JJ	Thermistor Input 14 (B)	18VDC Return
A14-KK	Thermistor Input 15 (A)	18VDC Supply
A14-LL	Thermistor Input 15 (B)	18VDC Return
A14-MM	Thermistor Input 16 (A)	18VDC Supply
A14-NN	Thermistor Input 16 (B)	18VDC Return



Image depict coding pins required

L0LH0301 Obelix Thermistors Module Type A

Connector Assembly

Part Number	Description
H0LH0101	Connector Assembly A16

Connector Assembly Specifications

- **Product Type:** Pre-manufactured cable assembly
- **Construction:** Connector with flying leads (pigtail)
- **Connector 1 :** Obelix A16 Male Plug (34-pin)
- **Connector 2:** Unterminated, flying leads
- **Conductors:** 34
- **Cable Length:** 2.2 metres
- **Pin Type: Female** (Gold-plated)
- **Conductor Type:** PVDF Tinned Stranded Wire
- **Insulation Rating:** 600 volts
- **Temperature Rating:** -65°C to 105 °C
- **Recommended Tools:** PVDF / Teflon Insulation Stripping Tool

Cable options can vary depending on customer requirements.