

L0LJ0202 Obelix Industrial Digital Input Module A63 24VDC DGI 52 wide Brackets

The L0LJ0101 Obelix Mining PLC Digital Input Module supports forty-eight (48) digital inputs (110-volt A.C.)

An industry-standard CAN (Controller Area Network) connection provides a host PLC with the ability to monitor all inputs and module status.

Uniquely Keyed Type A connectors to prevent incorrect machine installation

Embedded 110VAC Digital Input Module

48 x 24VDC Digital Inputs

Microprocessor Sampling Control

Connector 1

Obelix A2 (24VDC Input + CAN Bus)

Connector 2

Obelix A63 (Digital Inputs)

Outputs

None

Supply Input 1

24VDC (+/- 10%) / 3 Watts (Max)

Data Communications

Opto-Coupler Isolation

CAN 2.0B Compatible

Obelix CAN (A2)

Operates -10 C to +70 C

All industrial components

Heavy Duty Enclosure

Electros Nickel Plated

Rugged Construction

Material

Enclosure is Electroless nickel plated mild steel.

Facia is stainless steel.

Mounting brackets are stainless steel.

Fasteners

M5 x 10mm x 4

M4 x 10mm x 8

M3 x 10mm x 10

Mass

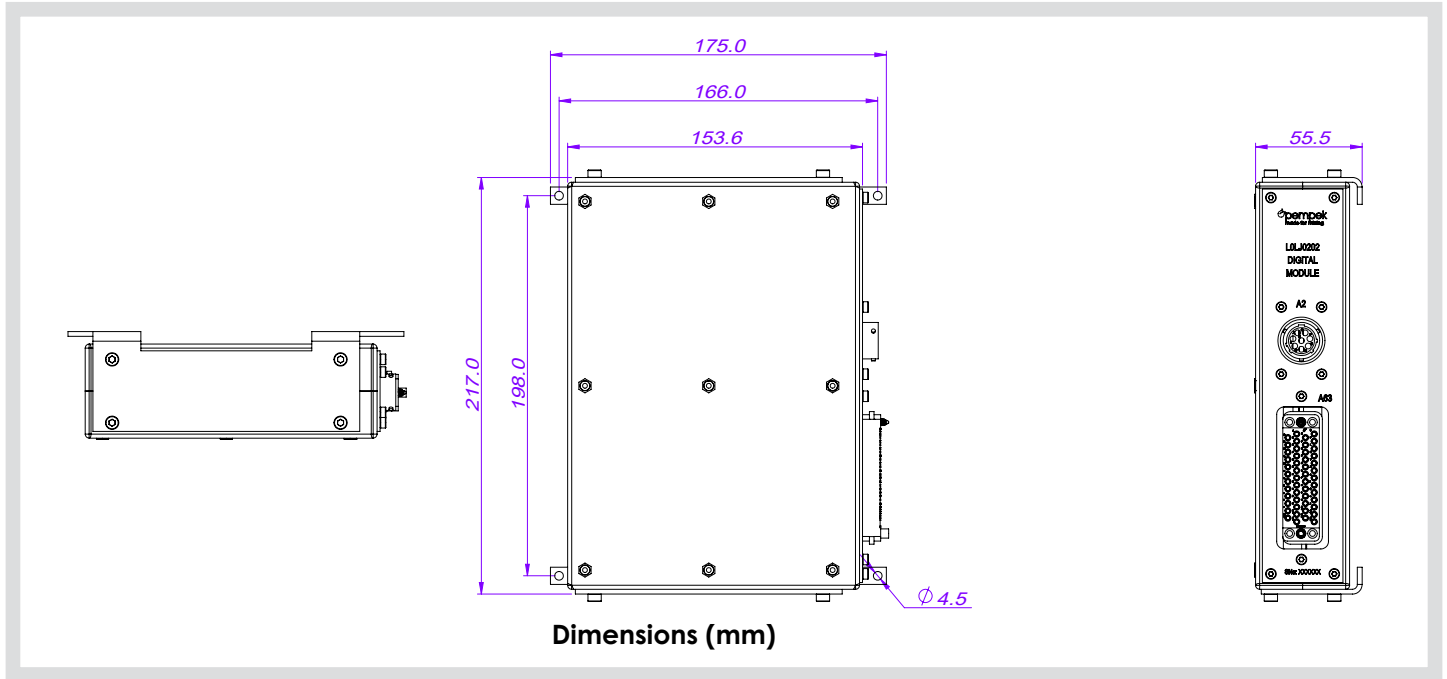
2.5kg (5.5lb)



Typical Application

- Continuous Bolter/Miners
- Continuous Haulage
- Long Wall Shearers
- Mobile Bolters
- Mobile Roof Supports
- Remote Control Scoops
- Remote Control Loaders
- Any industrial power supply application

L0LJ0202 Obelix Industrial Digital Input Module A63 24VDC DGI 52 wide Brackets



CONNECTOR A2

PIN	Connector A2 Burndy Female 8 Way	Signal
A2-A	Supply Input	24VDC Supply Input
A2-B	Supply Input	0VDC Supply Input
A2-C	CAN A (Positive)	Communications
A2-D	CAN A (Positive)	Communications
A2-E	CAN A (Negative)	Communications
A2-F	CAN A (Negative)	Communications
A2-G	Termination Link 1 - 1	Termination Link Input
A2-H	Termination Link 1 - 2	Termination Link Input



LOLJ0202 Obelix Industrial Digital Input Module A63 24VDC DGI 52 wide Brackets

CONNECTOR A63

PIN	Connector A63 GAPL 50 Female 50 Way	Signal
A	Digital Input 23	24VDC
B	Digital Input 22	24VDC
C	Digital Input 11	24VDC
D	Digital Input 21	24VDC
E	Digital Input 12	24VDC
F	Digital Input 17	24VDC
H	Digital Input 24	24VDC
J	Digital Input 18	24VDC
K	Digital Input 10	24VDC
L	Digital Input 19	24VDC
M	Digital Input 20	24VDC
N	Digital Input 9	24VDC
P	Digital Input 16	24VDC
R	Digital Input 32	24VDC
S	Digital Input 15	24VDC
T	Digital Input 31	24VDC
U	Digital Input 14	24VDC
V	Digital Input 30	24VDC
W	Digital Input 13	24VDC
X	Digital Input 29	24VDC
Y	Digital Input 1	24VDC
Z	Digital Input 25	24VDC
a	Digital Input 2	24VDC
b	Digital Input 26	24VDC
c	Digital Input 3	24VDC
d	Digital Input 27	24VDC
e	Digital Input 4	24VDC
f	Digital Input 28	24VDC
h	Digital Input 8	24VDC
j	Digital Input 37	24VDC
k	Digital Input 7	24VDC
m	Digital Input 38	24VDC
n	Digital Input 6	24VDC
p	Digital Input 39	24VDC
r	Digital Input 5	24VDC
s	Digital Input 40	24VDC
t	Digital Input 33	24VDC
u	Digital Input 34	24VDC
v	Digital Input 35	24VDC
w	Digital Input 36	24VDC
x	Digital Input 44	24VDC
y	Digital Input 45	24VDC
z	Digital Input 43	24VDC
AA	Digital Input 47	24VDC
BB	Digital Input 46	24VDC
CC	Digital Input 48	24VDC
DD	Digital Input 41	24VDC
EE	Digital Input 42	24VDC
FF	Reference Supply Input	0VDC
HH	Reference Supply Input	0VDC

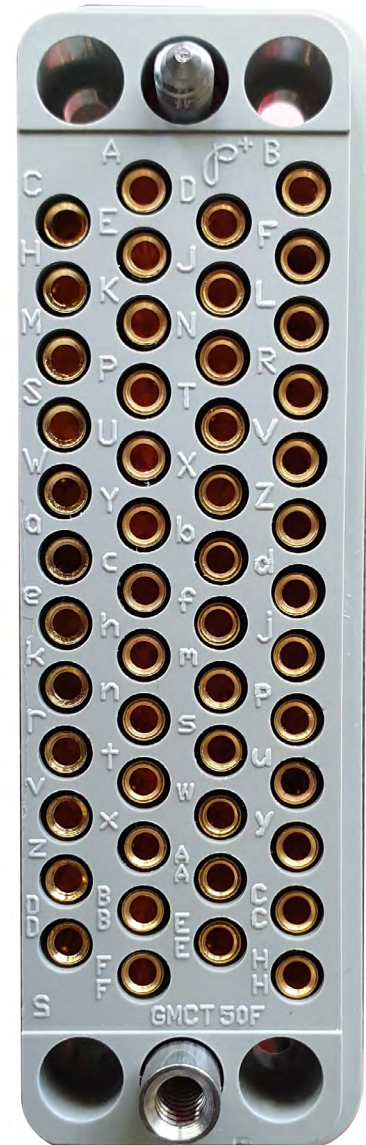


Image depict coding pins required

L0LJ0202 Obelix Industrial Digital Input Module A63 24VDC DGI 52 wide Brackets

Connector Assembly

Part Number	Description
H0LJ0201	Connector Assembly A63

Connector Assembly Specifications

- **Product Type:** Pre-manufactured cable assembly
- **Construction:** Connector with flying leads (pigtail)
- **Connector 1 :** Obelix A63 Male Plug (50-pin)
- **Connector 2:** Unterminated, flying leads
- **Conductors:** 50
- **Cable Length:** 2.2 metres
- **Pin Type:** Female (Gold-plated)
- **Conductor Type:** PVDF Tinned Stranded Wire
- **Insulation Rating:** 600 volts
- **Temperature Rating:** -65°C to 105 °C
- **Recommended Tools:** PVDF / Teflon Insulation Stripping Tool