

## L0P90101 Obelix Power Supply Module 110VAC 24VDC 8A

The L0P9 Industrial Power Supply Module is designed to provide ripple free 24VDC to Obelix Modules. It is the common supply for Solenoid Drivers. It is also available in 12VDC version.

### Embedded 24VDC Power Supply Module

110VAC (10A) Fused Input  
24VDC (10A) Fused Output

### Operates -10°C to +85°C

All industrial components

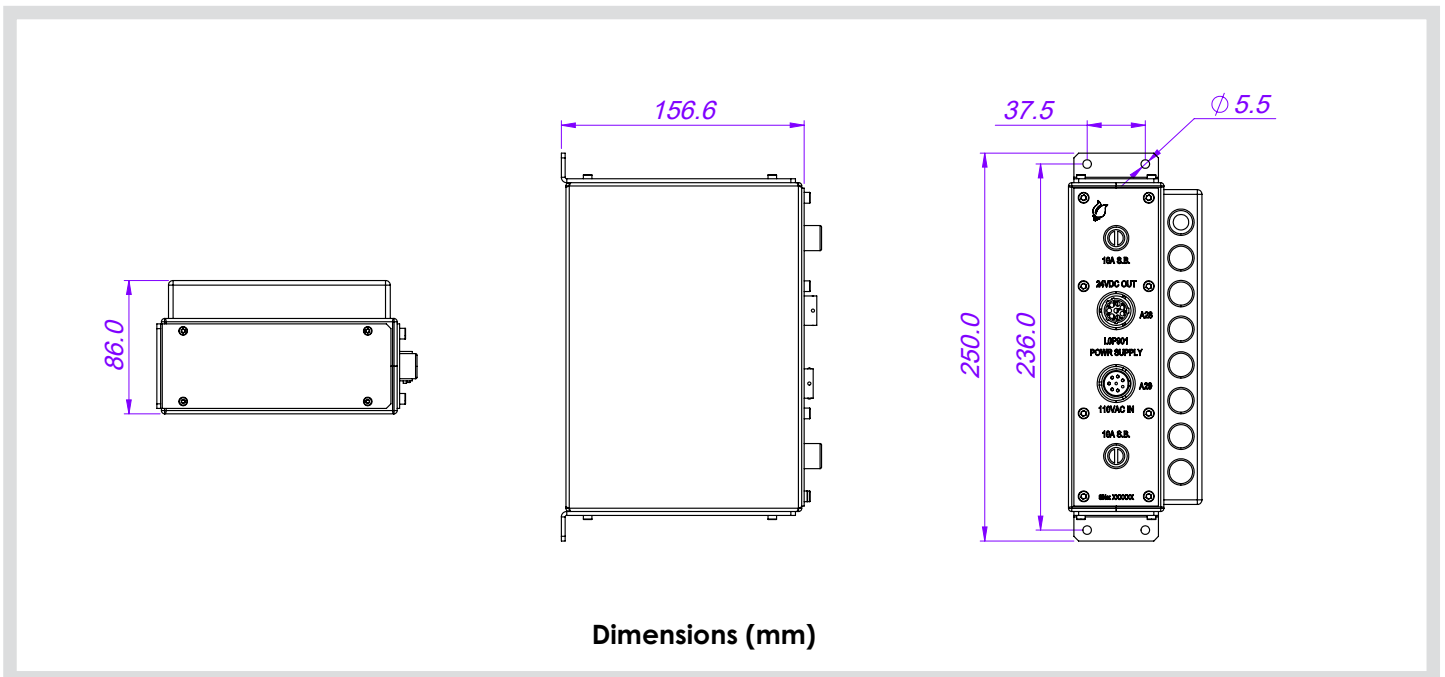
### Heavy Duty Enclosure

Electros Nickel Plated  
Rugged Construction



### Typical Applications

- Continuous Bolter/Miners
- Continuous Haulage
- Long Wall Shearers
- Mobile Bolters
- Mobile Roof Supports
- Remote Control Scoops
- Remote Control Loaders
- Any industrial power supply application



## L0P90101 Obelix Power Supply Module 110VAC 24VDC 8A

### CONNECTOR A28

Connector A28 8 Pin Female Burndy		
No	PIN	Name
1	A	24 VDC
2	B	24 VDC
3	C	0 VDC
4	D	0 VDC
5	E	
6	F	
7	G	

### CONNECTOR A29

Connector A29 8 Pin Male Burndy		
No	PIN	Name
1	A	110 VAC Active
2	B	110 VAC Active
3	C	110 VAC Neutral
4	D	110 VAC Neutral
5	E	
6	F	
7	G	
8	H	

