

L0RF0201 Obelix Power Supply Ex ib Intrinsically Safe 110V / 11V8 1A5 MSHA

The L0RF0101 Obelix Mining PLC Intrinsically-safe (I.S.Ex ib) Power Supply is a universal power source for Obelix IS PLC Modules and field devices used in Group I hazardous area mining applications

The L0RF0101 model has been designed and certified under the IEC Ex scheme

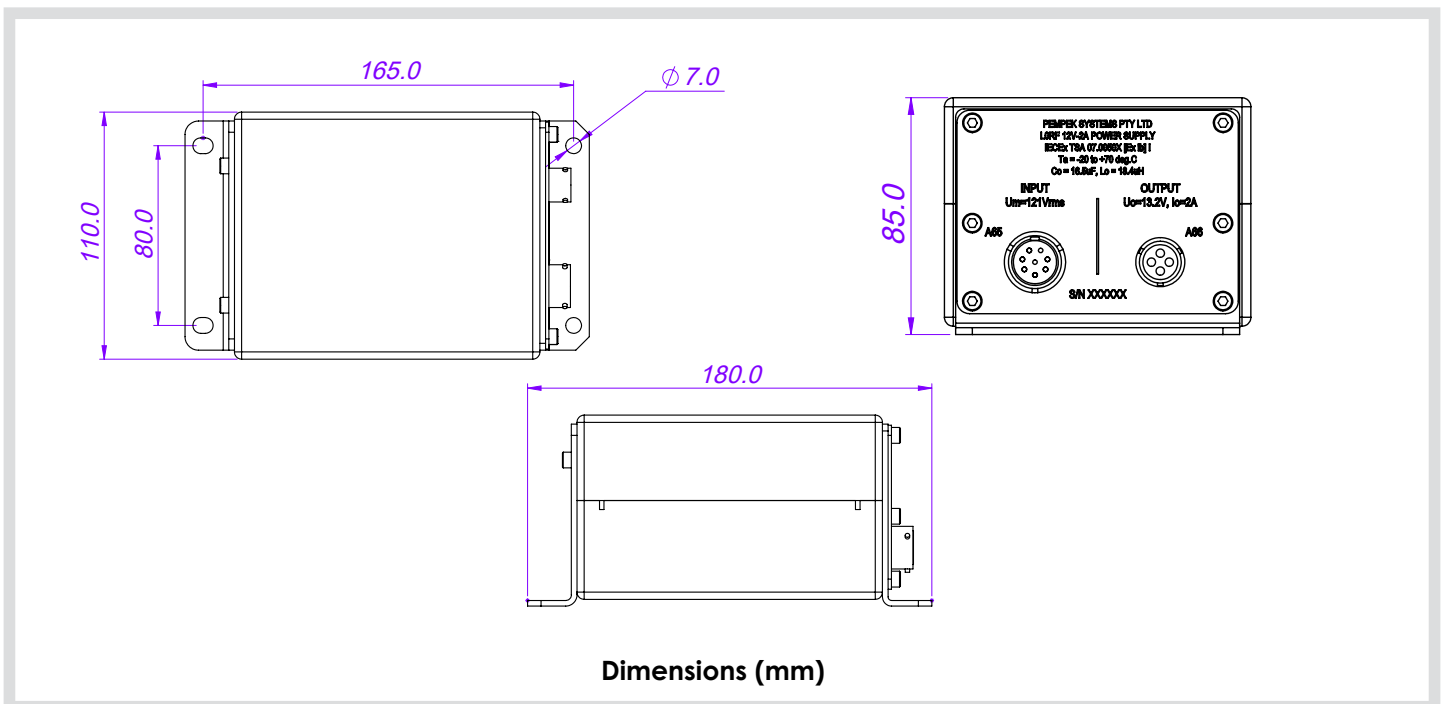
The L0RF0101 model features:

- 110-volt a.c. nominal supply input (Um = 121VAC)
- 12-volt d.c. I.S. nominal output (Uo = 13.2VDC / Io = 2A)
- Convenient, keyed, pre-fabricated cable assemblies for easy, reliable installation



Specifications

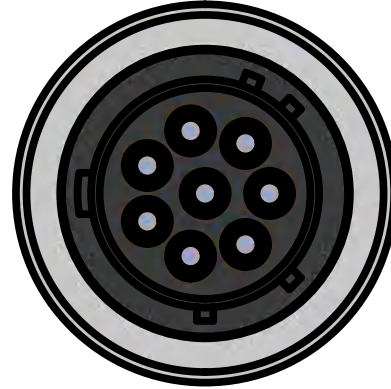
- **PLC Family:** Obelix
- **Module Type:** Power Supply (I.S. Ex ib)
- **Supply Input:** 110VAC (+/- 10%) / 30 Watts (Um = 121VAC Max)
- **Supply Output:** 12VDC (I.S.) / 25 Watts (Max)
- **Data Communications:** None
- **Operating Temperature:** -20°C to 70°C
- **Inputs:** None
- **Outputs:** None
- **Connector 1:** Obelix A65 (110VAC Input)
- **Connector 2:** Obelix A66 (12VDC I.S. Output)



L0RF0201 Obelix Power Supply Ex ib Intrinsically Safe 110V / 11V8 1A5 MSHA

CONNECTOR A65

Connector A65 8 Pin Male Burndy		
No	PIN	Name
1	A	Neutral
2	B	Safety Earth A
3	C	Safety Earth B
4	D	Safety Earth A
5	E	Safety Earth B
6	F	Safety Earth A
7	G	Safety Earth B
8	H	110V AC Input



CONNECTOR A66

Connector A66 4 Pin Female Burndy		
No	PIN	Name
1	A	0V IS
2	B	Not Connected
3	C	I.S. 12V/2A
4	D	Not Connected

