

## LOUD0101 Obelix Power Supply Can Bridge Ex ib Intrinsically Safe 1.5 Amps

The LOUD0101 Obelix Mining PLC Intrinsically-safe (I.S.Ex ib) Power Supply and CAN Bridge combines a I.S. 12-volt power source with a multi-purpose I.S. CAN communications isolation bridge.

The CAN Isolation Bridge provides for both Copper-based or Fibre-based CAN data transfer to I.S. devices.

The LOUD0101 can also be used as a stand-alone data isolator and route 12-volt I.S. power from an external source.

Designed to exacting requirements of IEC 60079.0 and IEC 60079.11, this IS CAN Bridge/PSU is designed for world-wide explosive atmosphere regulatory approval allowing it to be installed into any underground environment after certification assessment.

- 24-volt d.c. nominal supply input (Um = 30VDC)
- 12-volt d.c. I.S. nominal output (Uo = 13.2VDC / Io = 1.8A)
- 2 x Copper CAN Channels (Non-I.S. side of the bridge)
- 1 x I.S. Copper Can Channel (I.S. side of bridge)
- 1 x Fibre CAN Channel (I.S. side of bridge)



### Standard Compliance

- AS/IEC 60079.0
- AS/IEC 60079.11
- AS/IEC 61508
- AS/IEC 62061
- AS 4240
- MSHA CFR 30 Part 18

### Electrical Details

Supply voltage and input signals are connected to the enclosure through IP67 certified connector.

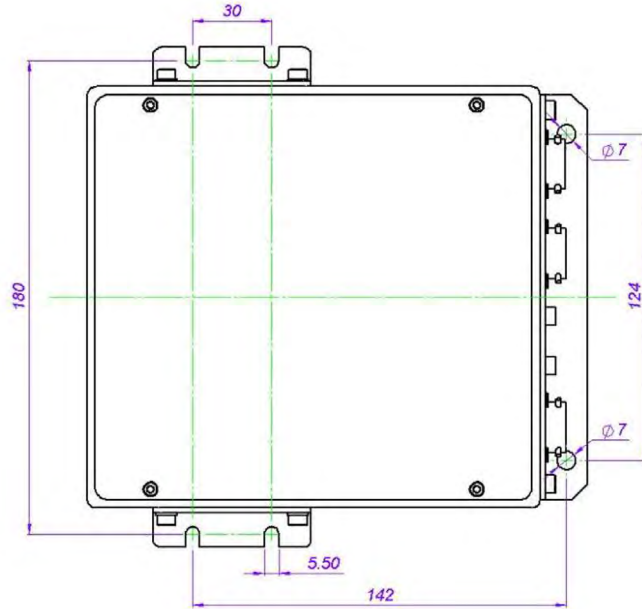
Supply voltage is between 12-30VDC

Typical supply current 100mA @ 12VDC

Operating ambient temperature -20 °C to 60 °C

Operating relative humidity 10-90% non condensing

**LOUD0101 Obelix Power Supply Can Bridge Ex ib Intrinsically Safe 1.5 Amps**



**Dimensions (mm)**

**Fibre Optic Patch ST -ST Multi-mode**

Part Number	Description
H0LW0401	Fibre Optic Patch ST-ST Multi-mode

**Specifications**

- **Product Type:** Pre-manufactured cable assembly
- **Construction:** Fibre-optic with ST terminations
- **Connector 1 :** Fibre ST Connector (2 connectors)
- **Connector 2:** Fibre ST Connector (2 connectors)
- **Conductors:** 2
- **Cable Length:** 0.8 metres
- **Pin Type:** ST Fibre Plugs
- **Conductor Type:** Multi-mode Fibre-optic
- **Insulation Rating:** N/A
- **Temperature Rating:** -40°C to 85°C