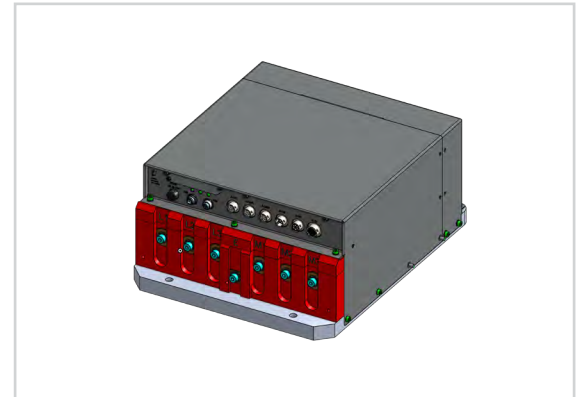


LOW40301 AC Variable Frequency Drive 1140V 100 kW - 110/220V Control PS - 110V/220V Relay - 15V Encoder

Pempek's AC Variable Frequency Drive for high-performance control of 1140V induction motor in demanding industrial applications.

Each single drive module contains a rectifier, DC link and an inverter in one single AC drive control unit.

- Four quadrant operation with full regeneration
- Integrated pre-charging unit
- Integrated safety relay
- Isolated CAN interface with CANOpen protocol
- Two CAN connectors to enable daisy-chaining of bus
- Method for externally setting the CAN Sub ID for the module
- Motor temperature monitoring
- Sophisticated direct torque control
- Sensorless vector speed control
- Maximum torque at zero speed
- Two-times of overload capability
- Water cooling
- 110/220V control power



Typical Application

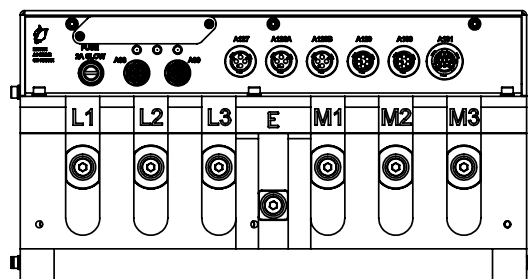
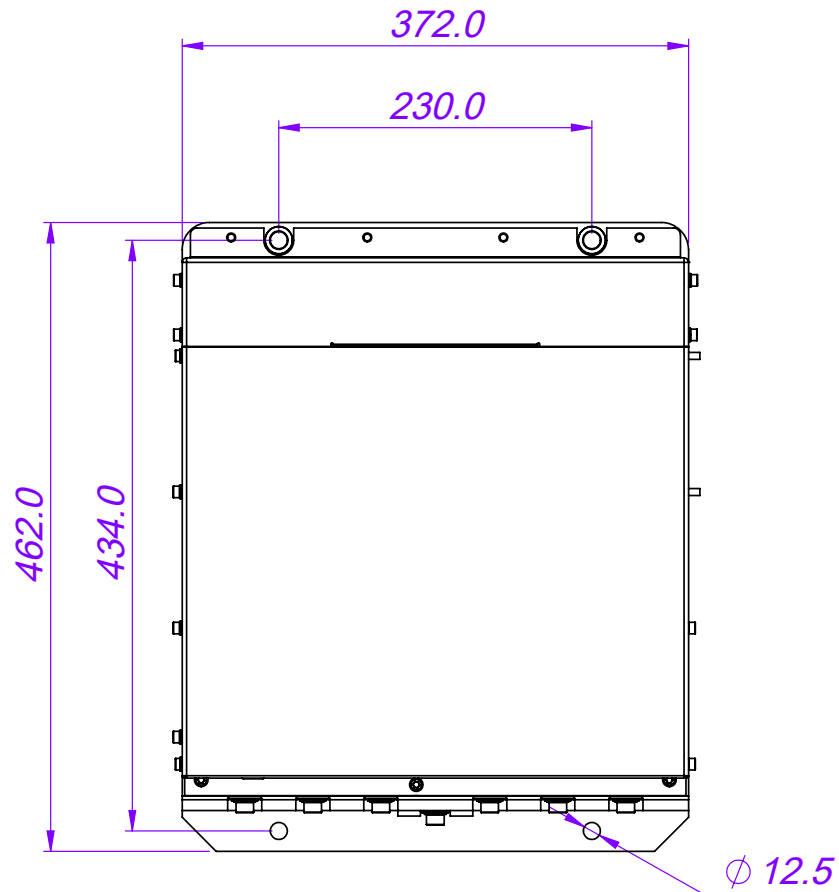
- Continuous Bolter/Miners
- Longwall Shear
- Shuttle Car
- Continuous Haulage
- Mobile Bolters
- Mobile Roof Supports
- Remote Control Scoops
- Remote Control Loaders
- Any industrial AC Motor application within power specification

Specification Chart

Pempek VFD	VFD rated voltage	Max current	Suitable motor Max power @1140V	Suitable motor Max power @960V	Suitable motor Max power @860V	Suitable motor Max power @660V	Suitable motor Max power @460V	Suitable motor Max power @380V	Dimension
LOW4	1140V	200A	150KW	133KW	119KW	91KW	64KW	52KW	462x372x200
LOTJ	1140V	300A	230KW	200KW	178KW	178KW	137KW	79KW	610x370x213
LOUP	480V	500A	NA	NA	NA	228KW	159KW	130KW	700x325x168
L11W	660V	500A	NA	NA	NA	228KW	159KW	130KW	430x350x201
L124	1140V	400A	150KW	133KW	119KW	91KW	64KW	52KW	733x350x200

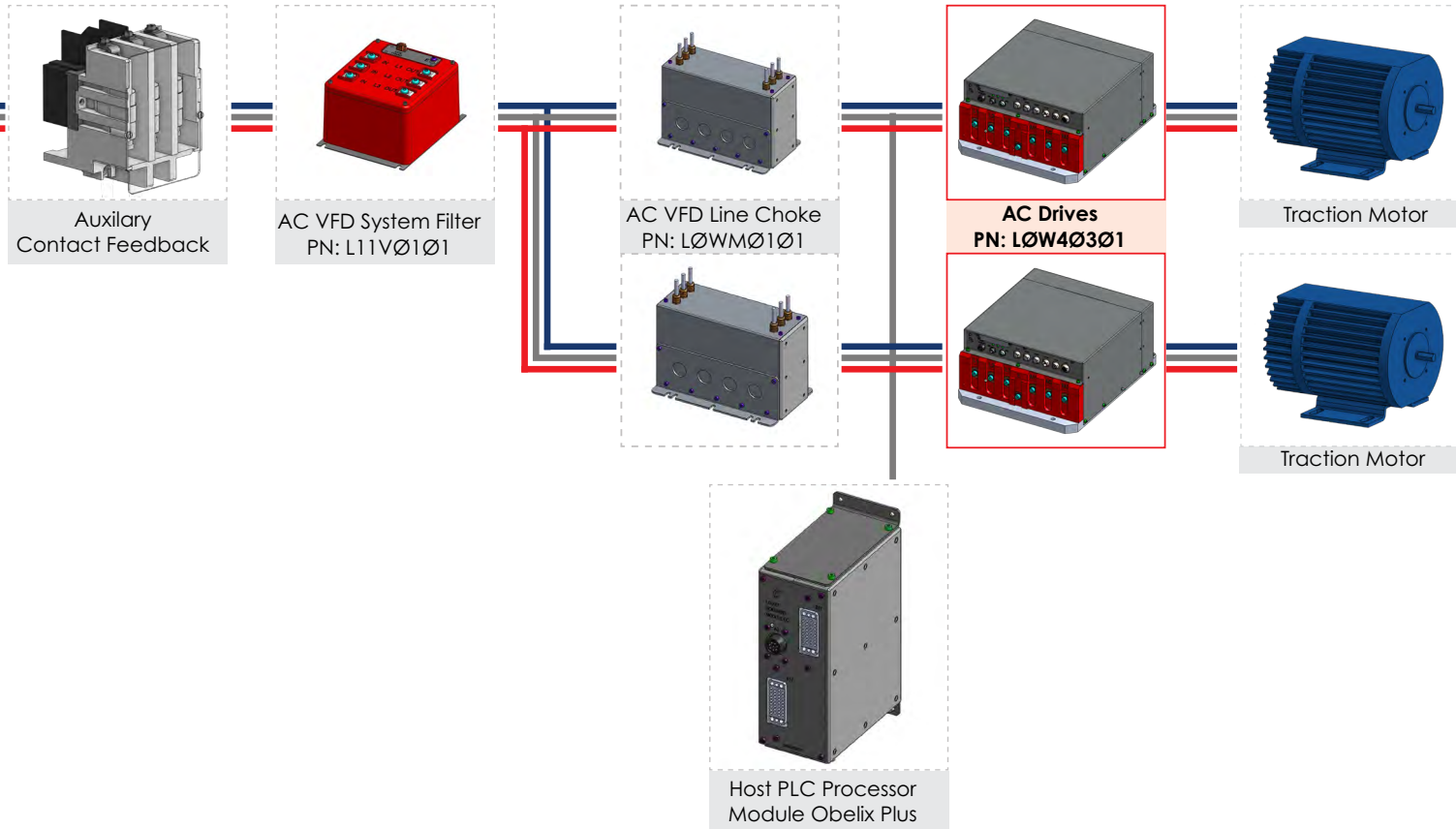
L0W40301 AC Variable Frequency Drive 1140V 100 kW - 110/220V Control PS - 110V/220V Relay - 15V Encoder

Dimensional Drawings (mm)



L0W40301 AC Variable Frequency Drive 1140V 100 kW - 110/220V Control PS - 110V/220V Relay - 15V Encoder

Single Drive Typical Application Example



Ordering Information

AC Variable Frequency Drive 1140V 100 kW - 110/220V Control PS - 110V/220V Relay - 15V Encoder **Part Number: L0W40301**

AC VFD System Filter with Common Mode Choke (1140 V) **Part Number: L11V0101**

AC Drive 1140V Choke 40A Long Side Mounting **Part Number: L0WM0101**