

L11J0201 IsoMate HV Off-line Lookahead Leakage Monitor

IsoMate is an off-line leakage (isolation) monitor which helps protect motors and equipment against damage. It can measure leakage current of a 3-phase load such as AC motors and transformers.

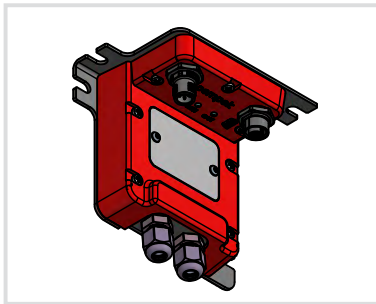
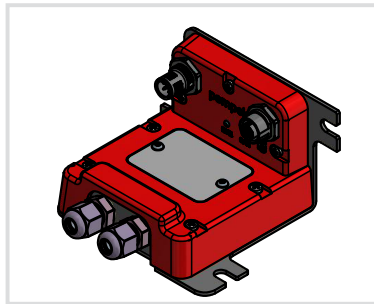
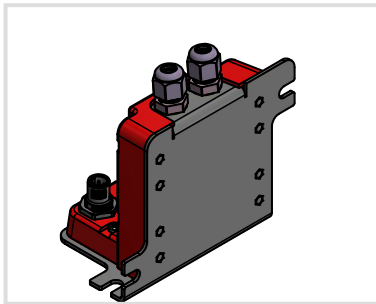
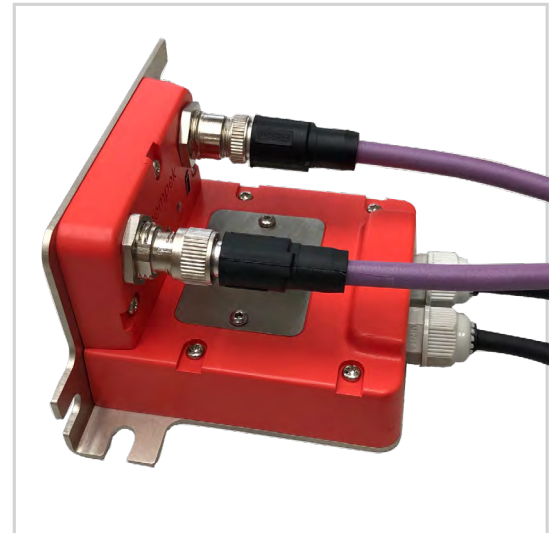
IsoMate major functions and features:

- Suitable for AC voltages, AC380V up to AC3.3kV Mains
- Optimised from 100 kilo-ohms to 10 mega-ohms (usable from 10 kilo-Ohms to 100 mega-Ohms)
- Test voltage: DC3000V ~ DC4000V
- Test current: <math><400\mu\text{A}</math>
- Line voltage detection. Detection threshold ~AC200V
- Robust CANopen protocol for automated monitoring and testing

Specifications

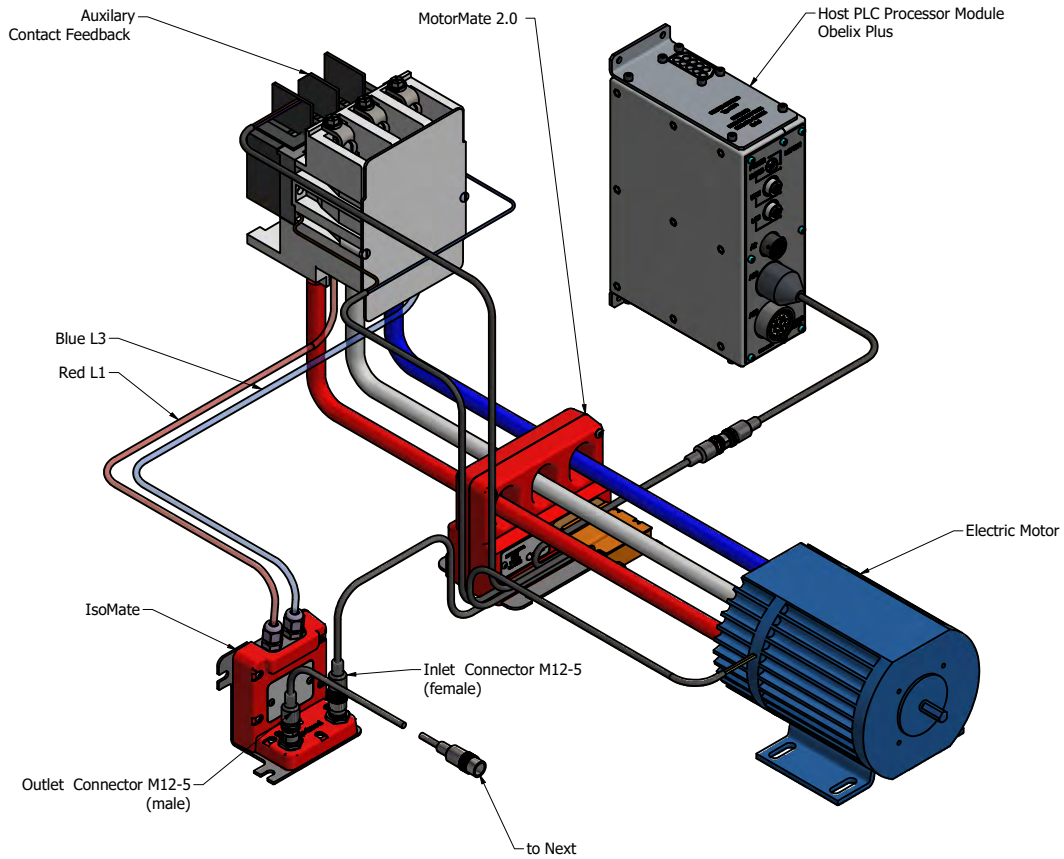
Connectors:

Two M12-5 (male + female) as per CiA-303.1 + two HV flying leads terminals to Mains line connection.

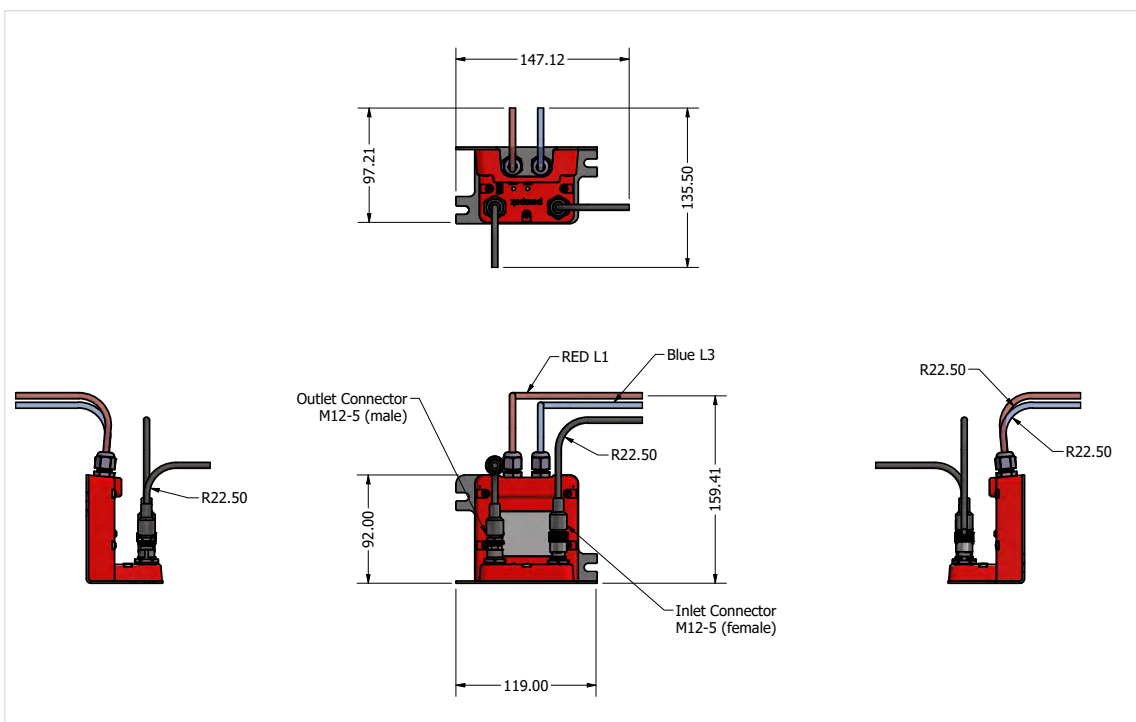


L11J0201 IsoMate HV Off-line Lookahead Leakage Monitor

IsoMate | Control and Monitoring Concept

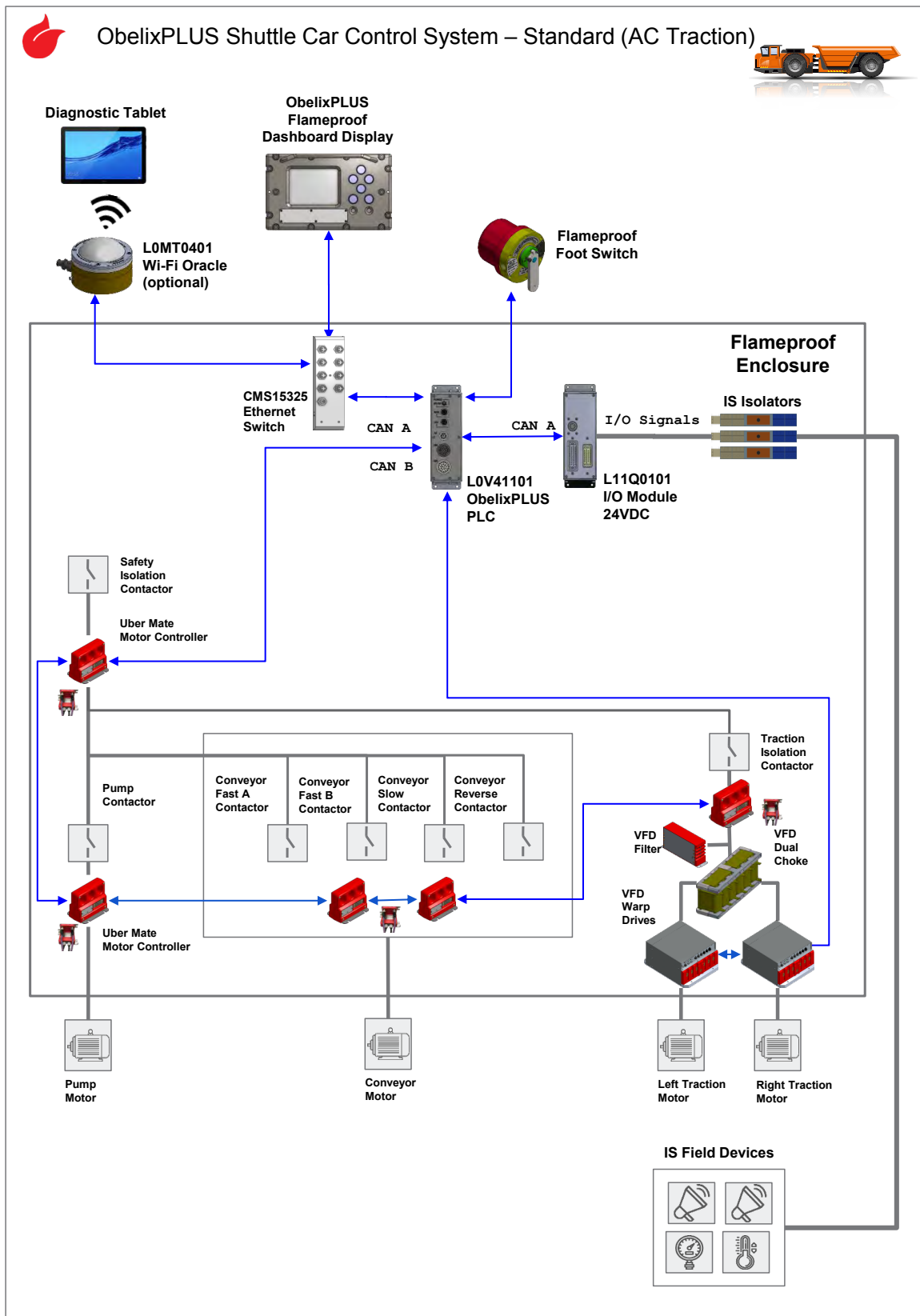


IsoMate | Cables



L11J0201 IsoMate HV Off-line Lookahead Leakage Monitor

IsoMate | Control and Monitoring Concept



L11J0201 IsoMate HV Off-line Lookahead Leakage Monitor

Dimensions (mm)

