

L11J0301 IsoMate HV On-line Core CT Earth Leakage Monitor

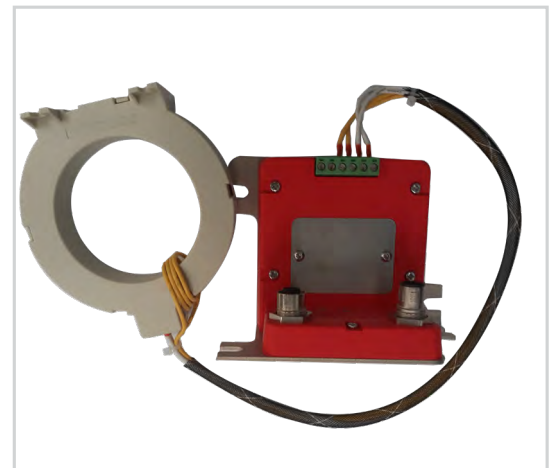
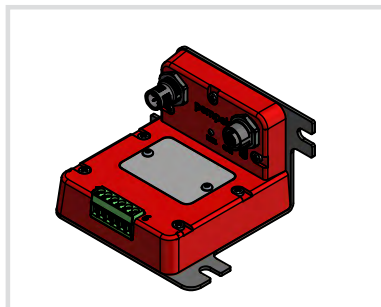
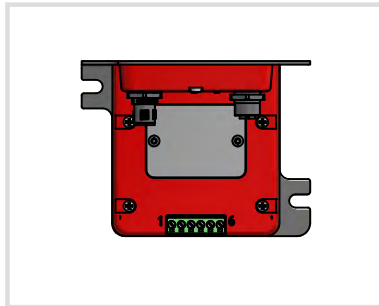
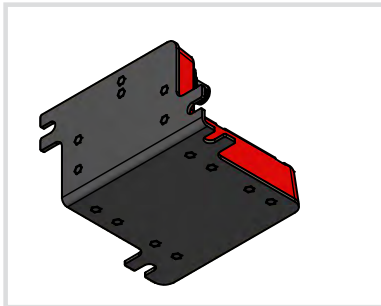
IsoMate is an on-line earth leakage (isolation) monitor with self-test which helps protect motors and equipment against damage. It can measure leakage current of a 3-phase load such as AC motors and transformers, while motor is running using an external Core Balanced CT.

IsoMate major functions and features:

- Calibrate external Core Balanced CT with induced reference current
- Measure leakage current
- Suitable for AC voltages, typically between AC380V to AC11kV Mains
- Suitable for 1000:1 Core Balanced CT with calibration current ~AC100mA
- Robust CANopen protocol for automated monitoring and testing
- USB 2.0 device interface for debugging and programming

Specifications

Connectors: Two M12-5 (male + female) as per CiA-303.1
+ 6way Terminal Block.



L11J0301 IsoMate HV On-line Core CT Earth Leakage Monitor

Dimensions (mm)

