

L11Q0101 Obelix Mixed I/O (24VDC Ouputs / 24VDC Inputs) Module Type A

The L11Q0101 Obelix Mining PLC I/O Module provides a collection of PWM-controlled outputs, digital inputs and analog inputs in a compact form factor that is well suited to mobile mining applications.

The industry-standard CAN (Controller Area Network) connection provides a host PLC with the ability to control and monitor all I/O resources.

- Uniquely Keyed Type A and Type C connectors to prevent incorrect machine installation
- 11 x PWM current-controlled 24VDC
- Proportional outputs (up to 1A continuous rating)
- 16 x Digital Inputs (110 VAC)
- 24 x Analog Inputs (4 -20 mA)



Specifications

Module Type: PWM Outputs / Analog Inputs / Digital Inputs

Supply Input 1: 24VDC (+/- 10%) / 3 Watts (Max)

Supply Input 2: 24VDC (+/- 10%) / 270 Watts (Max)
(based on output loads)

Data Communications: Obelix CAN (A2)

Operating Temperature: -20°C to 70°C

Inputs: 16 x Digital Inputs (24VDC) / 24 x Analog Inputs (4-20 mA)

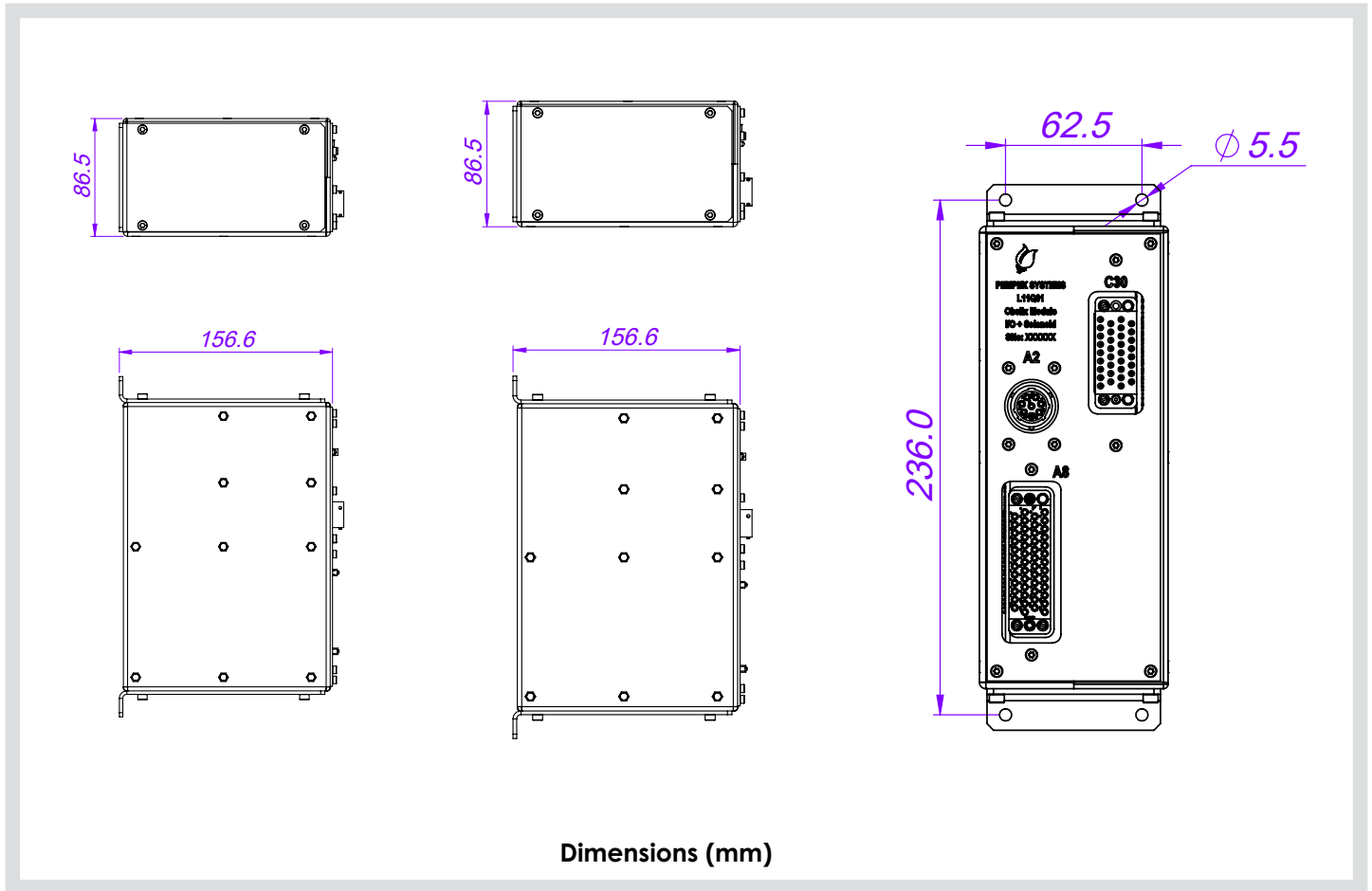
Outputs: 11 x PWM Current-regulated Outputs (1 A Maximum)

Connector 1: Obelix A2 (24VDC Input + CAN Bus)

Connector 2: Obelix A8 (Digital and Analog Inputs)

Connector 3: Obelix C30 (PWM Outputs and 24VDC PWM Supply Input)

L11Q0101 Obelix Mixed I/O (24VDC Ouputs / 24VDC Inputs) Module Type A



Connector Assembly

Part Number	Description
H0PE0401	Connector Assembly A30
H0PE0601	Connector Assembly C30

Connector Assembly Specifications

- **Product Type:** Pre-manufactured cable assembly
- **Construction:** Connector with flying leads (pigtail)
- **L11Q0101 Connector 1:** Obelix A30 Male Plug (34-pin)
- **L11Q0101 Connector 1:** Obelix C30 Male Plug (34-pin)
- **Connector 2:** Unterminated, flying leads
- **Conductors:** 26
- **Cable Length:** 2.2 metres
- **Pin Type:** Female (Gold-plated)
- **Conductor Type:** PVDF Tinned Stranded Wire
- **Insulation Rating:** 600 volts
- **Temperature Rating:** -65°C to 105 °C
- **Recommended Tools:** PVDF / Teflon Insulation Stripping Tool