

## L0M10101 Obelix Display Module Ex ib Intrinsically Safe Bolting / Canopy Control Station

The L0M10101 series bolter station is an entry-level bolting control and monitoring terminal.

The L0M10101 provides information to the operator via 4 lines by 40 characters text display. Several control buttons allow the operator to select and control different bolting functions.

The unit carries intrinsic safety approval for use in underground coal mines.

### Features:

- Basic I,S Bolter Control Station
- I,S. Design with Flameproof Approved Glands for wiring
- Waterproof Rate IP55
- CAN Interface OblixBus Compatible
- Built-in LCD Display (4x40)
- Four Bolting Control Buttons
- One Mode Switch
- Integrated E-Stop Button
- Input and Output Resources
- ObelixBus (fibre-optic)
- 4 x Momentary Push Buttons
- 1 x Selector Switch
- 1 x E-Stop Button (Latching)

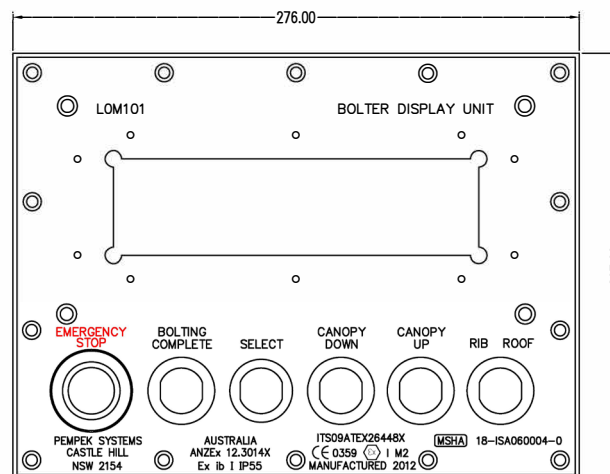


### Typical Application

Simple Local Bolter Rig Control and Monitoring

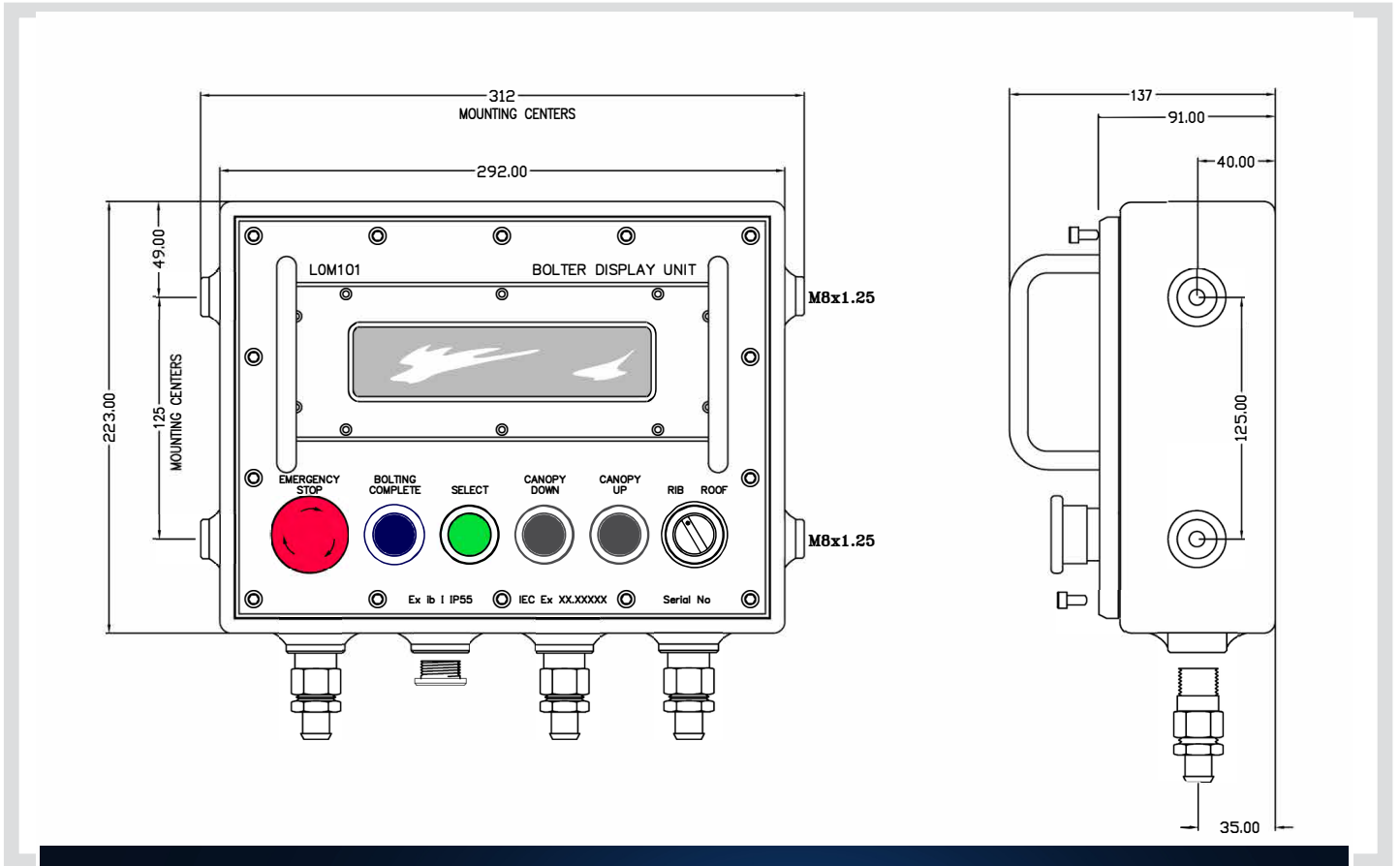
- Bolter Miners
- Mobile Bolters
- Drill Jumbos

### Engravings



All engravings paint filled black except 'Emergency Stop' which is Red

L0M10101 Obelix Display Module Ex ib Intrinsically Safe Bolting / Canopy Control Station



Fibre Optic Patch Cables

Part Number	Description
H0LW0401	Fibre Optic Patch ST-ST Multi-mode
H0M10101	Connector Assembly Fibre 8 way 7m
H0M10201	Connector Assembly Fibre 8 way 10m
H0M10301	Connector Assembly Fibre 8 way 1m
H0M10401	Connector Assembly Fibre 8 way 4m
H0M10801	Connector Assembly Fibre 8 way 8m
H0M10901	Connector Assembly Fibre 8 way 11m
H0M11001	Fibre Optic Patch Assembly 8 way 3m
H0M11201	Connector Assembly Fibre 8 way 12.5m



Image above Fibre Optic Patch ST-ST Multi-Mode

Specifications

- **Product Type:** Pre-manufactured cable assembly
- **Construction:** Fibre Optic with ST terminations
- **Connector 1 :** Fibre Optic Tx
- **Connector 2:** Fibre-optic Rx
- **Pin Type:** ST Fibre Plugs
- **Conductor Type:** Multi-mode Fibre-optic
- **Insulation Rating:** N/A
- **Temperature Rating:** -40°C to 85°C

