

## L0R40101 Obelix Proportional Solenoid Ex ib Intrinsically Safe I/O

The L0R40101 Obelix Mining PLC I.S. I/O Solenoid Driver Module provides intrinsically safe (Group I Ex ib) input and output resources in a single, compact unit.

A unique fibre-optic communications interface means that the module, and dedicated IS power supply, can be conveniently segregated into its, isolated zone.

The fibre-optic link between the module and an Obelix processor module provides real-time control and monitoring of all I/O points.

This solution is ideal for mobile mining equipment where limited installation space must be managed.

Uniquely keyed typed connectors to prevent incorrect machine installation.

**The module is Dual Obelix Type which complies with AS/NZS 4240 standard.**

**As per standard, every output includes two switches A&B in series with monitoring feedbacks from both.**

**Extra safety is achieved by using two potted boards where each includes main and watchdog processors monitoring the correctness of executed main software code.**

**Module Primary board - A18\_B0L32**

**Module Secondary board - A48\_A49\_B0R4J**



Mounting options can vary depending on customer requirements.

## Specifications

- **Module Type:** Intrinsically Safe Input / Output with Display
- **Supply:** 12VDC (+/- 10%) / 20 Watts (Max) from Approved I.S. Power Supply
- **Data Communications:** CAN interface over Obelix Fibre
- **Operating Temperature:** -20°C to +85°C all industrial components
- **Inputs 1:** 32 x I.S. Digital Inputs (12VDC)
- **Inputs 2:** 10 x I.S. Analog Inputs (4-20 mA)
- **Inputs 3:** 4 x I.S. Frequency Counter Inputs (Namur Type, 5 kHz Max)
- **Inputs 4:** 2 x I.S. Resolver Sensor Inputs (industry standard Siemens or Litton)
- **Outputs:** 24 x I.S. 12VDC On/Off Outputs (Max 1A for each Output)
- **Connector 1:** CAN Interface over Obelix Fibre
- **Connector 2:** Obelix A18 (12VDC I.S. Supply and Solenoid Outputs)
- **Connector 3:** Obelix A48 (12VDC I.S. Supply Analog inputs and Counter inputs)
- **Connector 4:** Obelix A49 (Digital Inputs)

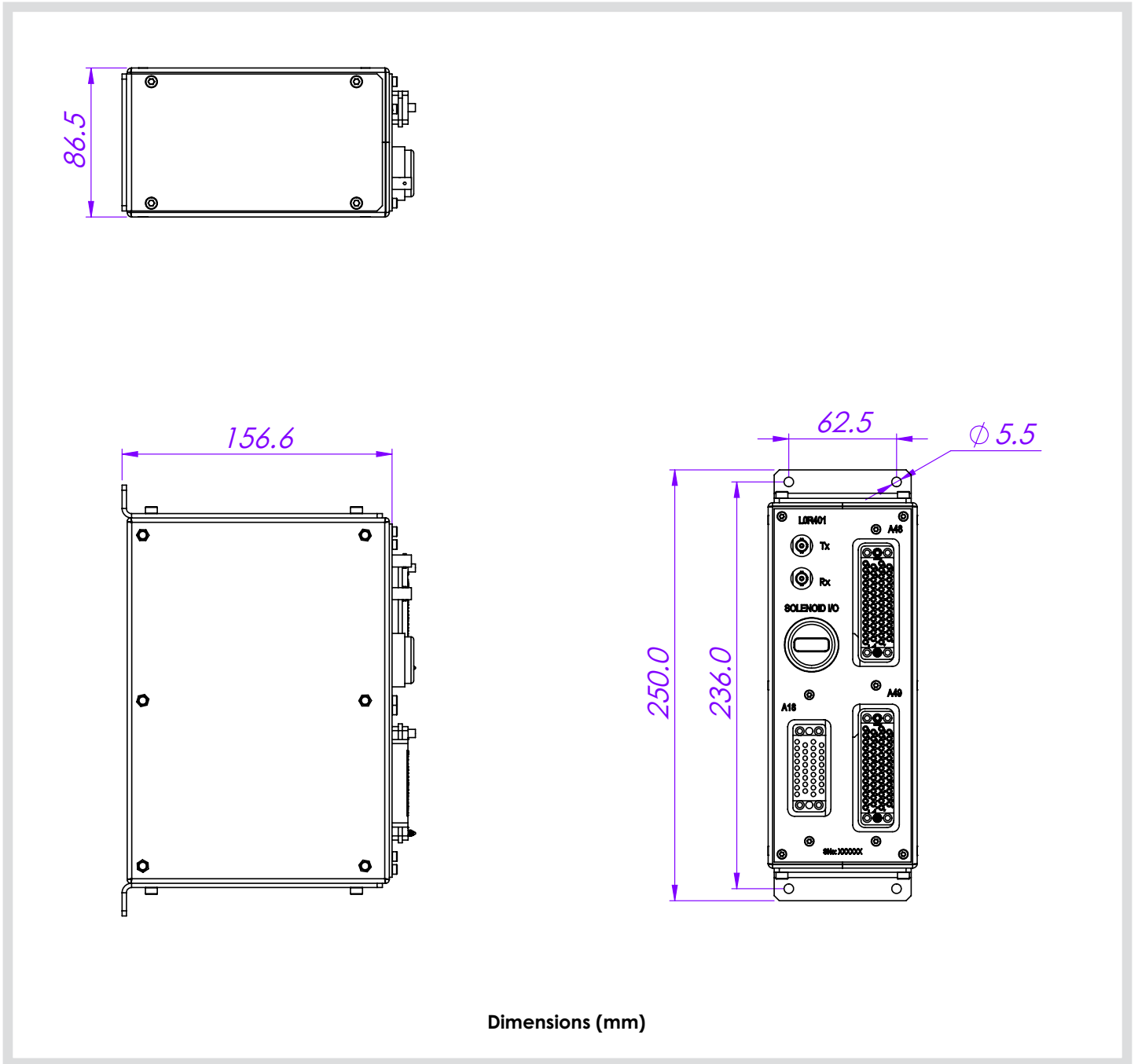
### Heavy Duty Enclosure

- Electroless Nickel Plated
- Rugged Construction

### Mass

- 6.5kg (14.3lb)

**LØR40101 Obelix Proportional Solenoid Ex ib Intrinsically Safe I/O**



## L0R40101 Obelix Proportional Solenoid Ex ib Intrinsically Safe I/O

### Display Diagnostics

The integral 4 characters LED Matrix display provides the end-user with some basic diagnostics as to the operation of the module. These messages are as follows:

**ON** - No Faults

**FEBK** - Outputs Feedback Fault

**SHRT** - Output Short Fault

**CAN** - Fibre-optic CAN Bus Fault

### Message Explanation Result

#### ON

Omni Flashing Indicates nominal operation and signifies that CAN communications have been established with a host. Normal Operation Permitted

#### CAN

This indicates CAN Communication has not been established or has been lost. Outputs Disabled

#### FEBK

This indicates that internal is NOT congruent with requested outputs. This typically occurs when output has been requested but has failed to operate indicating a supply failure or wiring error. Outputs Disabled

#### SHRT

This indicates that a short-circuit condition has been detected as a requested output. This short-circuit could be external (most probable) or internal Outputs Disabled



## L0R40101 Obelix Proportional Solenoid Ex ib Intrinsically Safe I/O

### CONNECTOR A18

Number	Unit / PCB VMCT-34F Female Board Mount PIN	L0R40101 Name
1	A	SOLENOID-5
2	B	SOLENOID-11
3	C	SOLENOID-2
4	D	SOLENOID-8
5	E	SOLENOID-4
6	F	SOLENOID-10
7	H	SOLENOID-1
8	J	SOLENOID-7
9	K	SOLENOID-3
10	L	SOLENOID-9
11	M	MODULE SELECT-1
12	N	SOLENOID-6
13	P	SOLENOID-12
14	R	SOLENOID-13
15	S	MODULE SELECT-2
16	T	SOLENOID-14
17	U	SOLENOID-15
18	V	SOLENOID-16
19	W	MODULE SELECT-3
20	X	SOLENOID-17
21	Y	SOLENOID-18
22	Z	SOLENOID-19
23	AA	MODULE SELECT-4
24	BB	SOLENOID-20
25	CC	
26	DD	SOLENOID-21
27	EE	
28	FF	SOLENOID-22
29	HH	
30	JJ	SOLENOID-23
31	KK	
32	LL	SOLENOID-24
33	MM	OVIS
34	NN	12VIS



Image depict coding pins required

L0R40101 Obelix Proportional Solenoid Ex ib Intrinsically Safe I/O

CONNECTOR A48

Number	Unit / PCB GMST50F Female Board Mount PIN	L0R40101 Name
1	A	INP-COUNTER-1-in
2	B	INP-COUNTER-2-in
3	C	COUNTER-1-supply
4	D	COUNTER-2-supply
5	E	INP-COUNTER-3-in
6	F	INP-COUNTER-4-in
7	H	COUNTER-3-supply
8	J	COUNTER-4-supply
9	K	
10	L	RESOLVER-1-REF+
11	M	
12	N	RESOLVER-1-REF-(0V)
13	P	AN10
14	R	RESOLVER-1-SIN-
15	S	AN9
16	T	AN8
17	U	AN7
18	V	RESOLVER-1-COS+
19	W	AN6
20	X	AN5
21	Y	AN4
22	Z	RESOLVER-1-SIN+
23	a	AN3
24	b	AN2
25	c	AN1
26	d	RESOLVER-1-COS-
27	e	
28	f	
29	h	
30	j	RESOLVER-2-REF+
31	k	
32	m	
33	n	
34	p	RESOLVER-2-REF-(0V)
35	r	
36	s	
37	t	
38	u	RESOLVER-2-SIN-
39	v	
40	w	
41	x	
42	y	RESOLVER-2-COS+
43	z	
44	AA	
45	BB	
46	CC	RESOLVER-2-SIN+
47	DD	12VIS
48	EE	RESOLVER-2-COS-
49	FF	OVIS
50	HH	

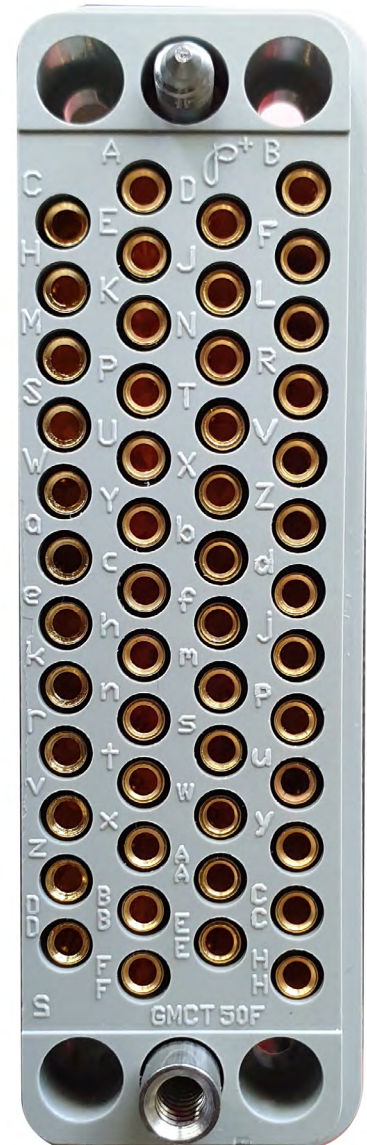


Image depict coding pins required

## L0R40101 Obelix Proportional Solenoid Ex ib Intrinsically Safe I/O

### CONNECTOR A49

Number	Unit / PCB GMST50F Female Board Mount PIN	L0R40101 Name
1	A	INP1
2	B	INP2
3	C	INP3
4	D	INP4
5	E	INP5
6	F	INP6
7	H	INP7
8	J	INP8
9	K	INP9
10	L	INP10
11	M	INP11
12	N	INP12
13	P	INP13
14	R	INP14
15	S	INP15
16	T	INP16
17	U	INP17
18	V	INP18
19	W	INP19
20	X	INP20
21	Y	INP21
22	Z	INP22
23	a	INP23
24	b	INP24
25	c	
26	d	
27	e	
28	f	MOD-SEL-3
29	h	
30	j	MOD-SEL-2
31	k	
32	m	MOD-SEL-1
33	n	INP25
34	p	INP26
35	r	INP27
36	s	INP28
37	t	INP29
38	u	INP30
39	v	INP31
40	w	INP32
41	x	
42	y	
43	z	
44	AA	
45	BB	
46	CC	
47	DD	
48	EE	
49	FF	
50	HH	OVIS

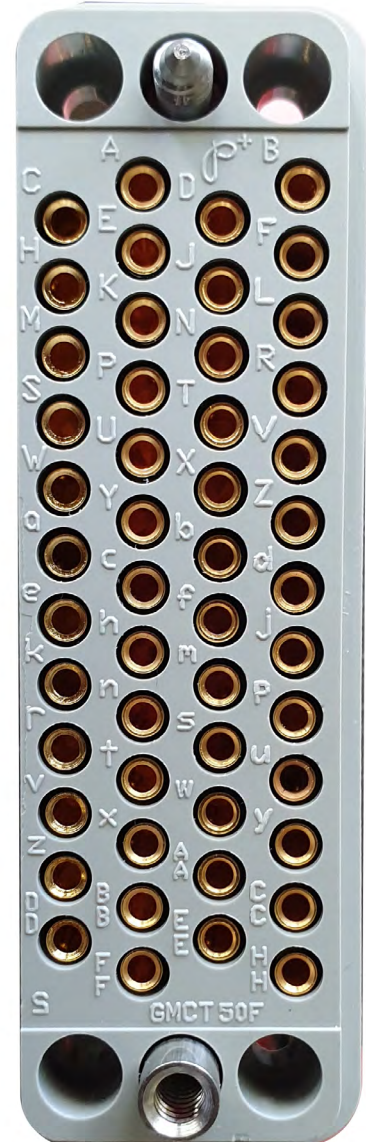


Image depict coding pins required

## L0R40101 Obelix Proportional Solenoid Ex ib Intrinsically Safe I/O

### Fibre Optic Patch Cables

Part Number	Description
H0LW0401	Fibre Optic Patch ST-ST Multi-mode
H0M10101	Connector Assembly Fibre 8 way 7m
H0M10201	Connector Assembly Fibre 8 way 10m
H0M10301	Connector Assembly Fibre 8 way 1m
H0M10401	Connector Assembly Fibre 8 way 4m
H0M10801	Connector Assembly Fibre 8 way 8m
H0M10901	Connector Assembly Fibre 8 way 11m
H0M11001	Fibre Optic Patch Assembly 8 way 3m
H0M11201	Connector Assembly Fibre 8 way 12.5m



Image above Fibre Optic Patch ST-ST Multi-Mode

### Specifications

- **Product Type:** Pre-manufactured cable assembly
- **Construction:** Fibre Optic with ST terminations
- **Connector 1 :** Fibre Optic Tx
- **Connector 2:** Fibre-optic Rx
- **Pin Type:** ST Fibre Plugs
- **Conductor Type:** Multi-mode Fibre-optic
- **Insulation Rating:** N/A
- **Temperature Rating:** -40°C to 85°C

### Connector Assembly

Part Number	Description
H0R40101	Connector Assembly A18 2.2m
H0R40201	Connector Assembly A48 2.2m
H0R40301	Connector Assembly A49 2.2m



### Specifications

- **Product Type:** Pre-manufactured cable assembly
- **Construction:** Connector with flying leads (pigtail)
- **Pin Type:** Male (Gold-plated)
- **Conductor Type:** PVDF Tinned Stranded Wire
- **Insulation Rating:** 600 volts
- **Temperature Rating:** -65 to 105 C
- **Recommended Tools:** PVDF / Teflon Insulation Stripping Tool

Cable options can vary depending on customer requirements.