

LOZU1101 ObelixPLUS Processor Module CODESYS (with Fibre-optic CAN Bus)

ObelixPLUS Mining PLC processor module supports immediate integration into mobile mining machinery control and automation applications.

The product features an unique dual-processor architecture - with one processor dedicated to fast, reliable I/O management and safety functions.

The second processor supports a flexible automation programming and configuration system.

Allowing end-users full access to high level control, automation and data collection.

LOZU1101 in addition to sixteen (16) local digital inputs (24VDC); the module provides a number of field bus options - including CAN (4), Ethernet (2) and RS-422 (3).

Once of the CAN busses also features eight (8) fibre-optic ports for connection to intrinsically-safe I/O modules via fibre-optic cables.

The ObelixPLUS development environment - based on the popular CODESYS 3.5 programming tool chain - supports immediate integration of many industry-standard I/O devices and smart components.



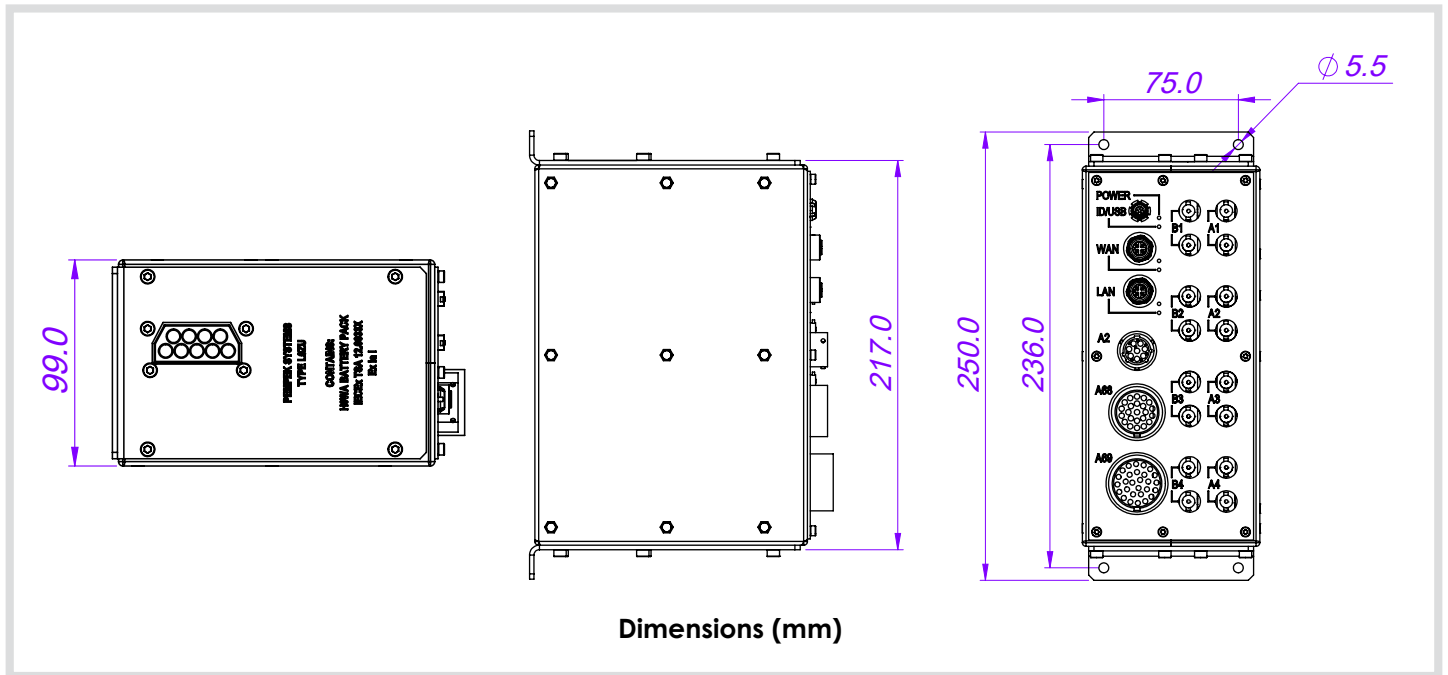
- **Type:** Programmable, dual-processor machine automation processor module
- **Programmability:** CODESYS 3.5 PLC Development System
- **Local I/O :** 16 x Digital Inputs (24 VDC)
- **Memory Battery:** AS4871-compliant
- **LOZU1101 - Field Buses:** 3 x CAN (copper) / 1 x CAN (fibre) with 8 ports / 2 x Ethernet / 3 x RS-422

CONNECTOR A2

| PIN | Connector A2 Burndy Female 8 Way | Signal |
|------|--|------------------------|
| A2-A | Supply Input | 24VDC Supply Input |
| A2-B | Supply Input | 0VDC Supply Input |
| A2-C | CAN A (Positive) | Communications |
| A2-D | CAN A (Positive) | Communications |
| A2-E | CAN A (Negative) | Communications |
| A2-F | CAN A (Negative) | Communications |
| A2-G | Termination Link 1 - 1 | Termination Link Input |
| A2-H | Termination Link 1 - 2 | Termination Link Input |



LOZU1101 ObelixPLUS Processor Module CODESYS (with Fibre-optic CAN Bus)



CONNECTOR A68

| No. | Connector A68 23 (32) Burndy Female PIN | Name |
|-----|--|------------|
| 1 | A | CANH1 |
| 2 | B | CANL1 |
| 3 | C | CANH2 |
| 4 | D | CANL2 |
| 5 | E | CANH3 |
| 6 | F | CANL3 |
| 7 | G | 0VDC |
| 8 | H | RXA- |
| 9 | J | RXA+ |
| 10 | K | TXA- |
| 11 | L | TXA+ |
| 12 | M | RXB- /CTSb |
| 13 | N | RXB+ /RXB |
| 14 | P | TXB- / TXB |
| 15 | R | TXB+ /RTSB |
| 16 | S | 0VDC |
| 17 | T | RXC- |
| 18 | U | RXC+ |
| 19 | V | TXC- |
| 20 | W | TXC+ |
| 21 | X | RXD |
| 22 | Y | TXD |
| 23 | Z | 0VDC |



LOZU1101 ObelixPLUS Processor Module CODESYS (with Fibre-optic CAN Bus)

CONNECTOR A69

| No. | Connector A69 28 (41) Burndy Female PIN | Name |
|-----|--|-------------------|
| 1 | A | DGI-1 |
| 2 | B | DGI-2 |
| 3 | C | DGI-3 |
| 4 | D | DGI-4 |
| 5 | E | DGI-5 |
| 6 | F | DGI-6 |
| 7 | G | DGI-7 |
| 8 | H | DGI-8 |
| 9 | J | DGI-9 |
| 10 | K | DGI-10 |
| 11 | L | DGI-11 |
| 12 | M | DGI-12 |
| 13 | N | DGI-13 |
| 14 | P | DGI-14 |
| 15 | R | DGI-15 |
| 16 | S | DGI-16 |
| 17 | T | 0VDC |
| 18 | U | CAN 1-L1 |
| 19 | V | CAN 1-L2 |
| 20 | W | COLDFIRE UART RX- |
| 21 | X | COLDFIRE UART RX+ |
| 22 | Y | COLDFIRE UART TX- |
| 23 | Z | COLDFIRE UART TX+ |
| 24 | a | CAN 2-L1 |
| 25 | b | CAN 2-L2 |
| 26 | c | RELAY IN |
| 27 | d | RELAY NC |
| 28 | e | RELAY NO |



Fibre Optic Patch ST -ST Multi-mode

| Part Number | Description |
|-------------|------------------------------------|
| HOLW0401 | Fibre Optic Patch ST-ST Multi-mode |

Specifications

- **Product Type:** Pre-manufactured cable assembly
- **Construction:** Fibre-optic with ST terminations
- **Connector 1 :** Fibre ST Connector (2 connectors)
- **Connector 2:** Fibre ST Connector (2 connectors)
- **Conductors:** 2
- **Cable Length:** 0.8 metres
- **Pin Type:** ST Fibre Plugs
- **Conductor Type:** Multi-mode Fibre-optic
- **Insulation Rating:** N/A
- **Temperature Rating:** -40 to 85 C