

L11K0401 ObelixPlus Orchid Data Collector With Plate Mount

Data disconnection?

No data lost with the Pempek Orchid unit.

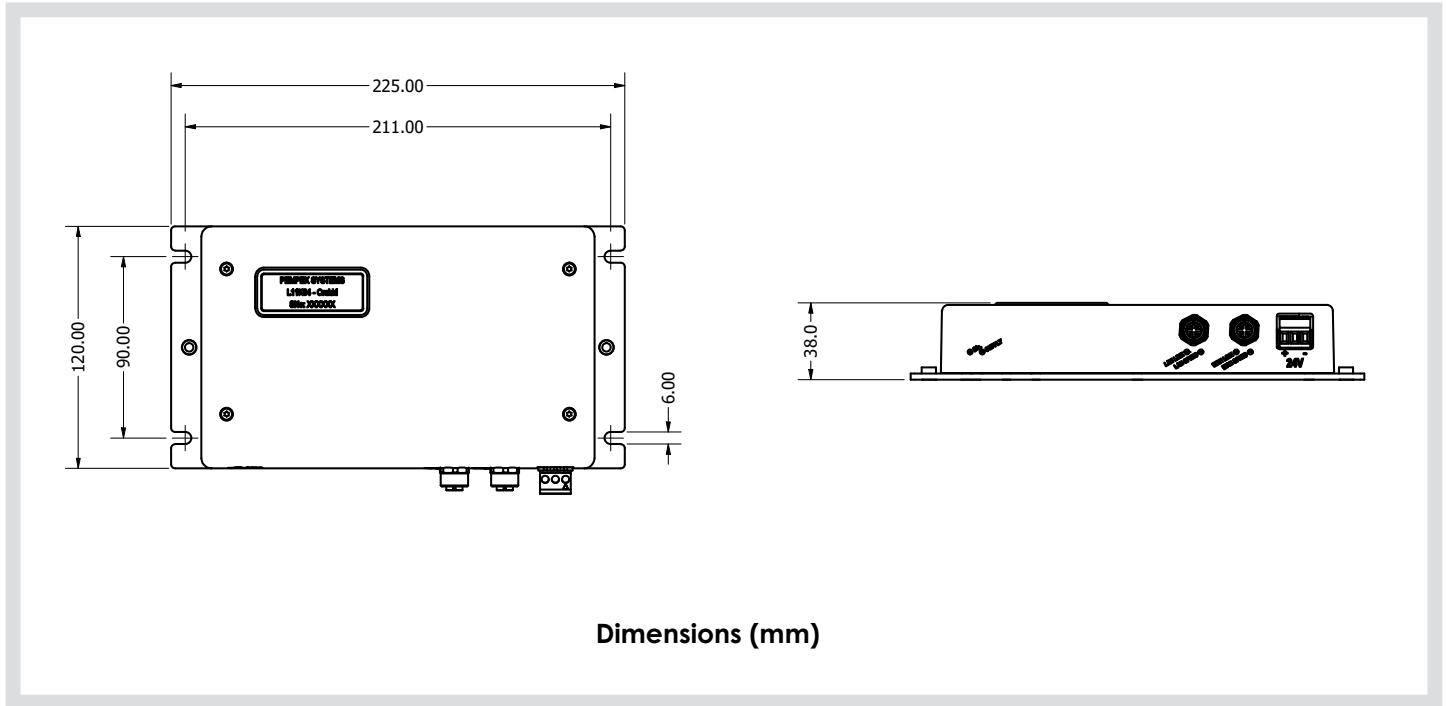
- Provides a point of collection from a number of sources
- Securely connect to the machine from anywhere
- Secure gateway between machine local network and mine network
- Collect machine data continuously
- Buffer data during mine network outage up to 4 days depending on telemetry loading
- Buffered data recovered automatically with Pempek Royce Telemetry & Analytics system. Once reconnected, collector will feed stored and live data simultaneously
- Machine display "remote screen mirroring" (with independent page navigation)
- EIP functionality setup
- Diagnostic tool useful to validate system setup and health checks
- Two isolated network adapters
- Processor iMX6
- Software Linux
- Plate Mounting
- Polymer Shell Enclosure



Typical Application

- Continuous Miners
- Continuous Haulage
- Long Wall Shearers
- Mobile Bolters
- Mobile Roof Supports
- Remote Control Scoops
- Remote Control Loaders
- Shuttle Cars
- Feeder Breakers

L11K0401 ObelixPlus Orchid Data Collector With Plate Mount



Dimensions (mm)

Diagram

